



***Parts Manual for
QT® Series
Basic & Unit Compressors***

Model QT-5

Record of Change 104

50230-104

November 1996

Q

U

I

N

C

Y



TABLE OF CONTENTS

Serial Number Identification	2
Ordering Replacement Parts	2
Quin-Cip Oil	2
Cylinder Group	3
Crankshaft Group	4
Connecting Rod & Piston Groups	5-8
Cylinder & Head Groups	9-12
Control Piping Schematics	13
Pilot Valves	14
Pilot Valve Repair Kit	14
Differential Setting Charts	14
Suction Valve Unloader Assemblies	15
Decals	15
Head Kits	16
Overhaul Kits	16
Gasket Set	16
Recommended Spare Parts	16
Typical Unit Parts List	17-18

INTRODUCTION

This manual provides information for the Model QT-5 reciprocating compressor, per Record of Change 104.

The Model QT-5 is an aircooled, two stage, two cylinder, splash lubricated compressor, with up to 175 p.s.i. continuous pressure capability. It has a 4" low pressure bore and a 2.25" high pressure bore, with a 2.88" stroke. This compressor can be run at 400-1060 r.p.m.

A hooded air filter/silencer is available as an option, as well as head unloaders.


CHANGES

since previous printing dated December 1994:

- QUIN-CIP oil information was added
- piston rings were changed in the low pressure piston group
- cylinder & head groups were changed
- updated control groups were added
- unit parts information was added

MODEL & SERIAL NUMBER IDENTIFICATION

Record of Change No.

MODEL	<input type="text"/>
SERIAL NO.	<input type="text"/>
Coltec Industries	
	Quincy Compressor Division

Model & Serial Number Identification Tag

The model & unit serial number identification tag is located on the air tank top plate.

Serial Number
<input type="text"/>

The basic compressor serial number decal is located on the handhole plate (oil gauge side of the crankcase). *Fill in the numbers from your compressor unit and basic compressor in the corresponding spaces provided here, and reference this page when ordering replacement parts.*

All replacement parts are to be ordered through an authorized Quincy Compressor Distributor. Insist on genuine Quincy parts only! Failure to do so may void warranty.

ORDERING REPLACEMENT PARTS

Prompt service can be rendered on repair parts orders if the following information is given:

- Item 1)** the model number, record of change number, & serial number.
- Item 2)** the exact part number needed. (Do not order by item numbers.)
- Item 3)** the exact quantity needed.
- Item 4)** the preferred type of transportation.

QUIN-CIP OIL

Refer to the chart below to order Quin-Cip compressor oil from your local Authorized Quincy Compressor Distributor.

Package	Part No.	Description
Barrel	112541D032	55 gal., SAE 10W
Pail	112541P032	5 gal., SAE 10W
Gallon	112541G032	1 gal., SAE 10W
Gallon Case	112541X032	(4)-1 gal., SAE 10W
Quart	112541Q032	1 qt., SAE 10W
Quart Case	112541C032	(12)-1 qt., SAE 10W
<hr/>		
Barrel	112542D068	55 gal., SAE 20
Pail	112542P068	5 gal., SAE 20
Gallon	112542G068	1 gal., SAE 20
Gallon Case	112542X068	(4)-1 gal., SAE 20
Quart	112542Q068	1 qt., SAE 20
Quart Case	112542C068	(12)-1 qt., SAE 20
<hr/>		
Barrel	112543D100	55 gal., SAE 30
Pail	112543P100	5 gal., SAE 30
Gallon	112543G100	1 gal., SAE 30
Gallon Case	112543X100	(4)-1 gal., SAE 30
Quart	112543Q100	1 qt., SAE 30
Quart Case	112543C100	(12)-1 qt., SAE 30

CAUTION !

Follow all safety precautions outlined in the Quincy QT Series instruction manual.

WARNING !

Do not operate this compressor without a totally enclosed belt guard or any other required safety equipment.

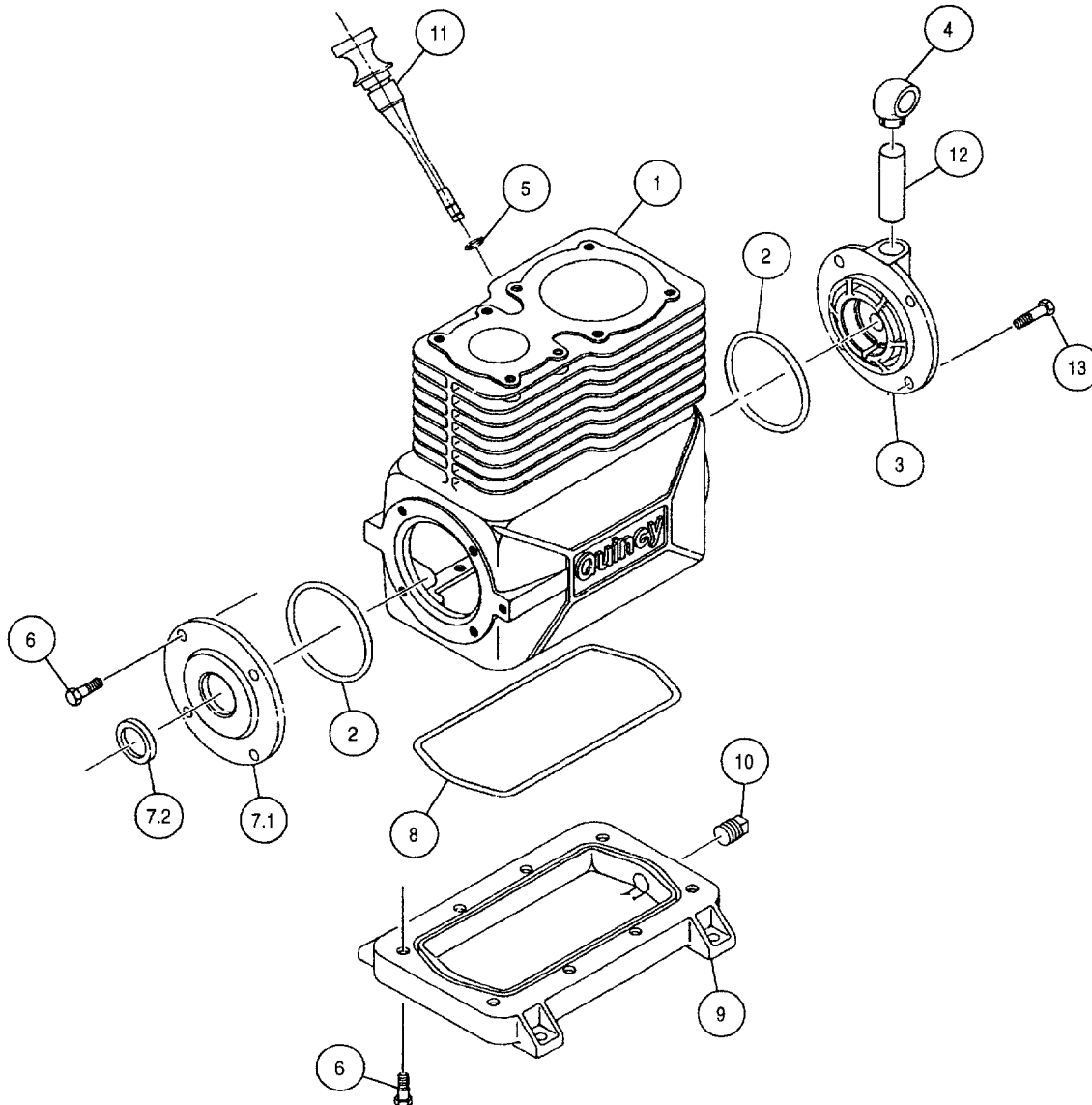
DANGER !

Air used for breathing or food processing must meet O.S.H.A. 1910.134 or F.D.A. 21 C.F.R. 178.3570 regulations. Failure to do so may cause severe injury or death.

CYLINDER GROUP 111147

Item Number	Qty.	Part Number	Description
1	1	111119-1	cylinder / crankcase
2	2	123157-155	"o"ring, 3/32 wide x 4.19 o.d.
3	1	111332	bearing carrier
4	*1	111349	breather elbow
5	1	123157-112	"o"ring, 3/32 wide x .69 o.d.
6	16	123478-L11	hex. screw, 3/8-16 unc x .88, grade 5 (@ 30ft.-lbs.)
7	1	111108X	bearing carrier assembly
7.1	1	111108	bearing carrier, sheave end
7.2	1	111106	oil seal
8	1	123157-175	"o"ring, 3/32 wide x 9.19 o.d.
9	1	111109	oil pan
10	1	2057	pipe plug, 1/2 npt
11	1	110070-5	oil level gauge
12	1	111333	crankcase breather

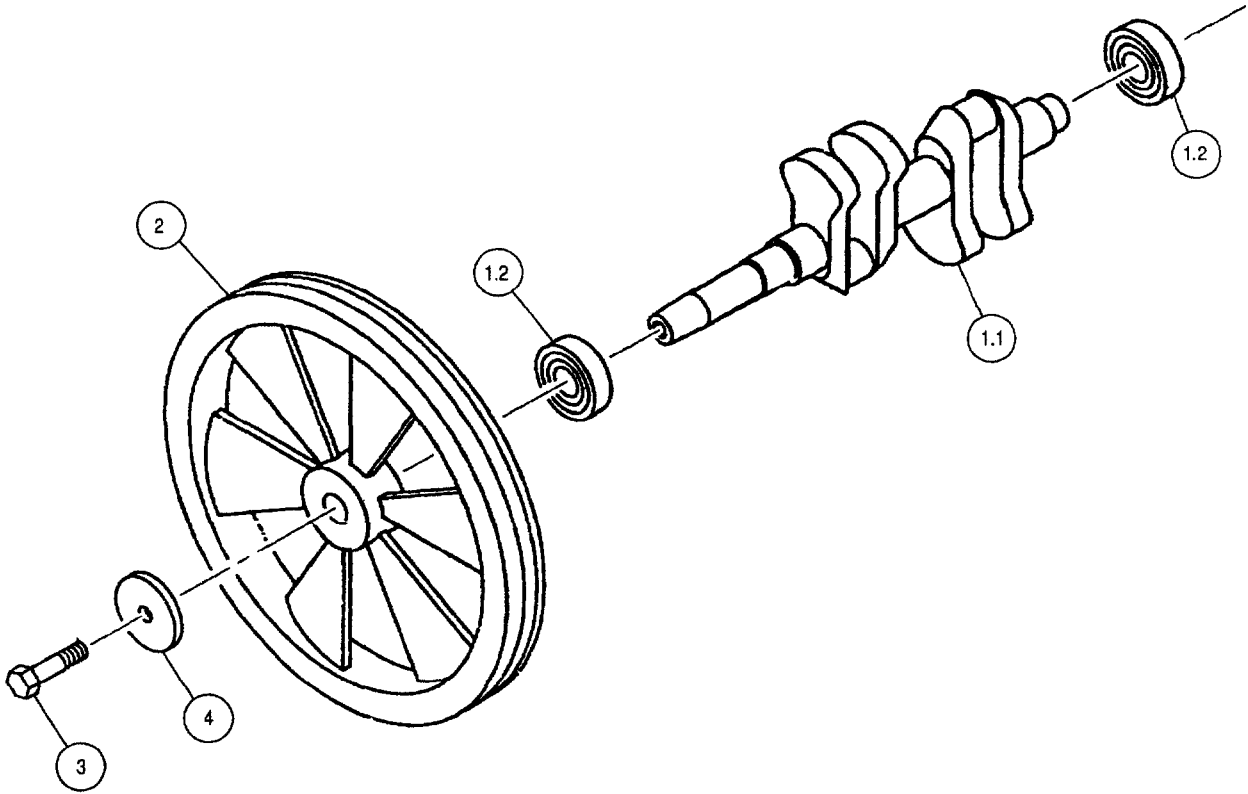
@ Indicates torque value (dry threads).



CRANKSHAFT GROUP 111148

Item Number	Qty.	Part Number	Description
1	1	111120X	crankshaft assembly
1.1	1	111120	crankshaft (N.S.S.; order 111120X)
1.2	2	111107	ball bearing
2	1	111127	sheave, 14.15", 1 groove, B sect. ccw
3	1	111128-N14	hex. screw, 1/2-20 unf x 1.25, grade 5, LEFT HAND THREAD (@ 60 ft.-lbs.)
4	1	111129	washer

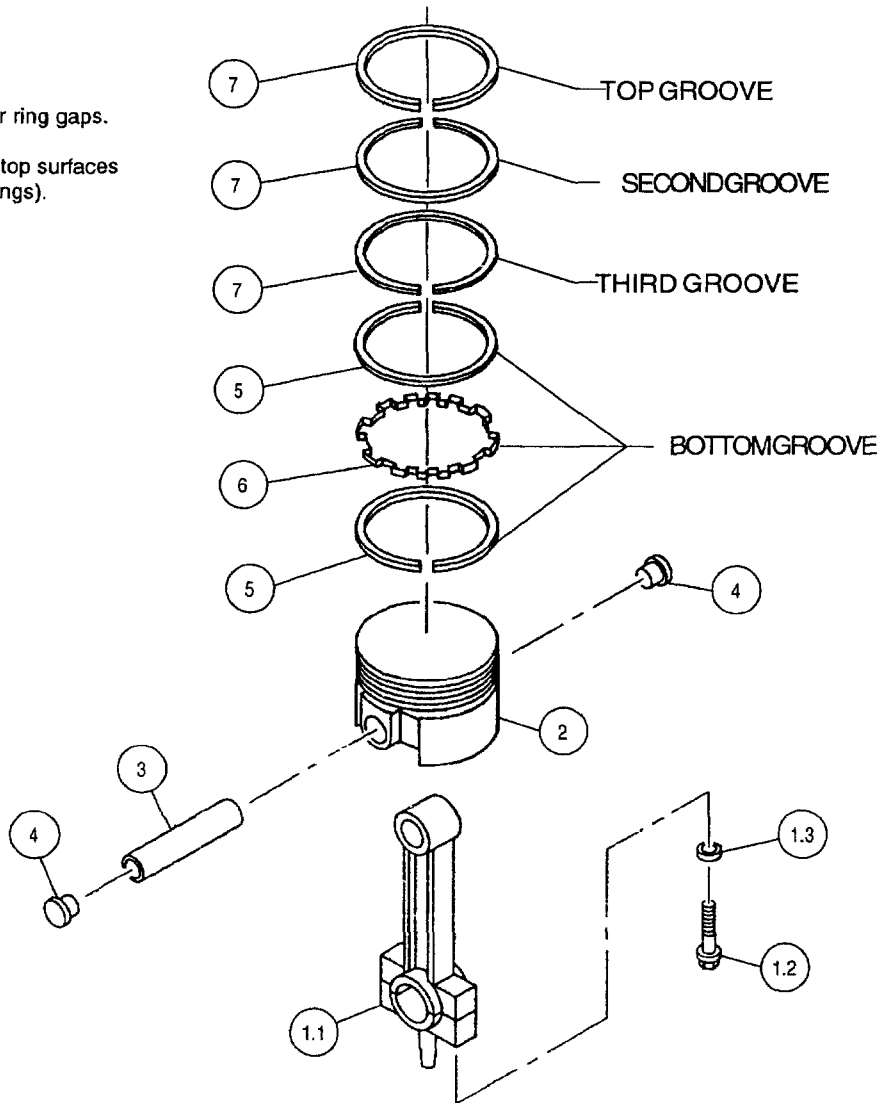
N.S.S. = Not Sold Separate
 @ Indicates torque value (dry threads)



CONNECTING ROD & PISTON GROUP 111197

(low pressure)

Be sure to stagger ring gaps.
Pip marks indicate top surfaces
of item 7 (rings).



CONNECTING ROD & PISTON GROUP 111197

(low pressure)

Item Number	Qty.	Part Number	Description
1	1	111110	connecting rod assembly
1.1	1		connecting rod (N.S.S.; order 111110)
1.2	2	110511-K15	taptite screw, 5/16-18 unc x 1.50 (@ 20-22ft.-lbs.)
1.3	2	110428N031	flatwasher, 5/16
2	1	111431	low pressure piston
3	1	110190-013	piston pin
4	2	111105-001	piston pin plug
5	2	6591	oil ring rail
6	1	6590	oil ring expander
7	3	111330	piston ring
Maintenance Parts			
2	1	111431-010	low pressure piston (.010 oversize)
	1	111199	Piston Ring Set (standard) includes all rings necessary for installing standard size rings
	1	111199-010	Piston Ring Set (.010 oversize) includes all rings necessary for installing .010 oversize rings
	1	111431X	Piston Assembly, LP (standard) includes piston, ring set, piston pin & piston pin plugs
	1	111431X010	Piston Assembly, LP (.010 oversize) includes piston, ring set, piston pin & piston pin plugs
	1	110190-050	Replacement Piston Pin Assembly, LP includes piston & plugs

N.S.S. = Not Sold Separate

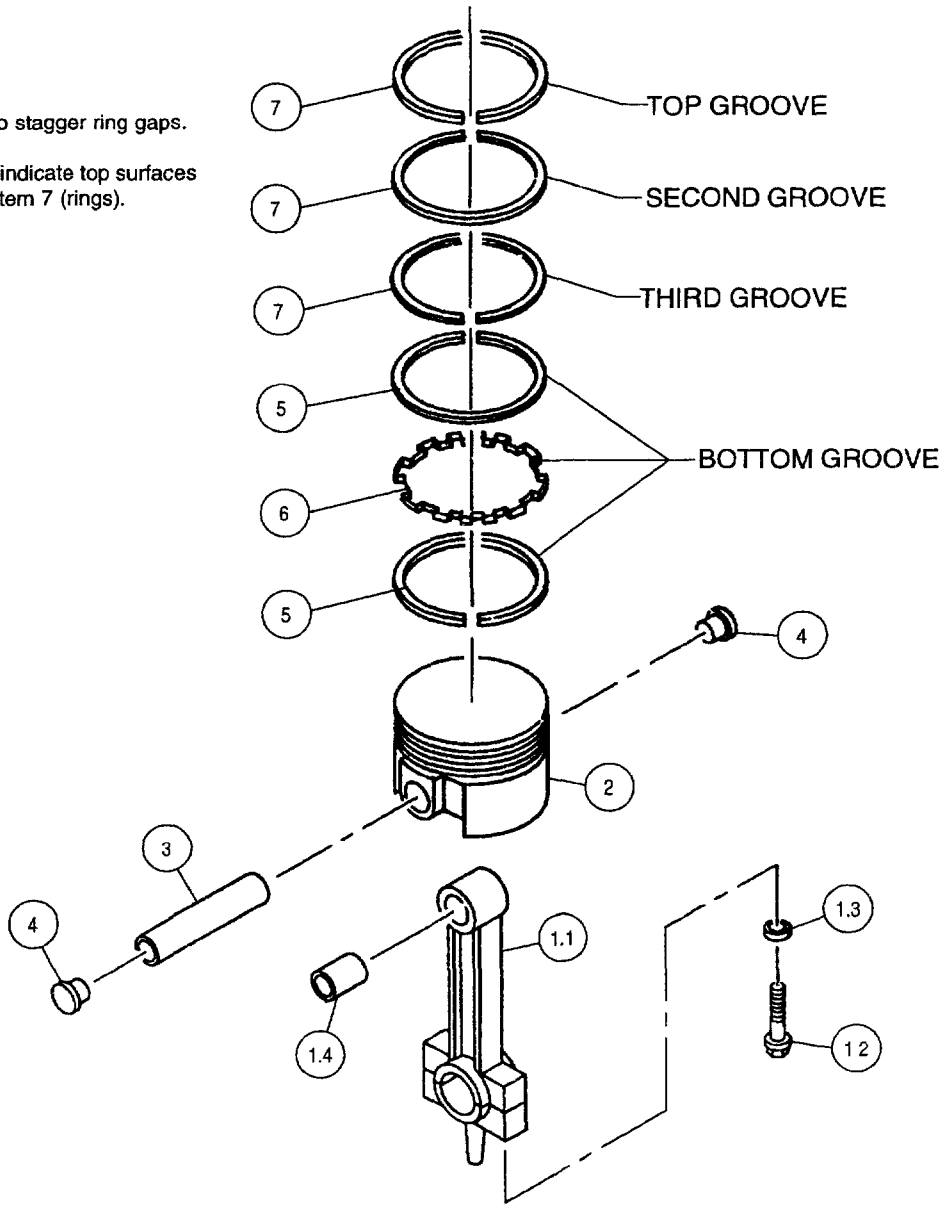
@ Indicates torque value (dry threads)

CONNECTING ROD & PISTON GROUP 111198

(high pressure)

Be sure to stagger ring gaps.

Pip marks indicate top surfaces of item 7 (rings).



CONNECTING ROD & PISTON GROUP 111198

(high pressure)

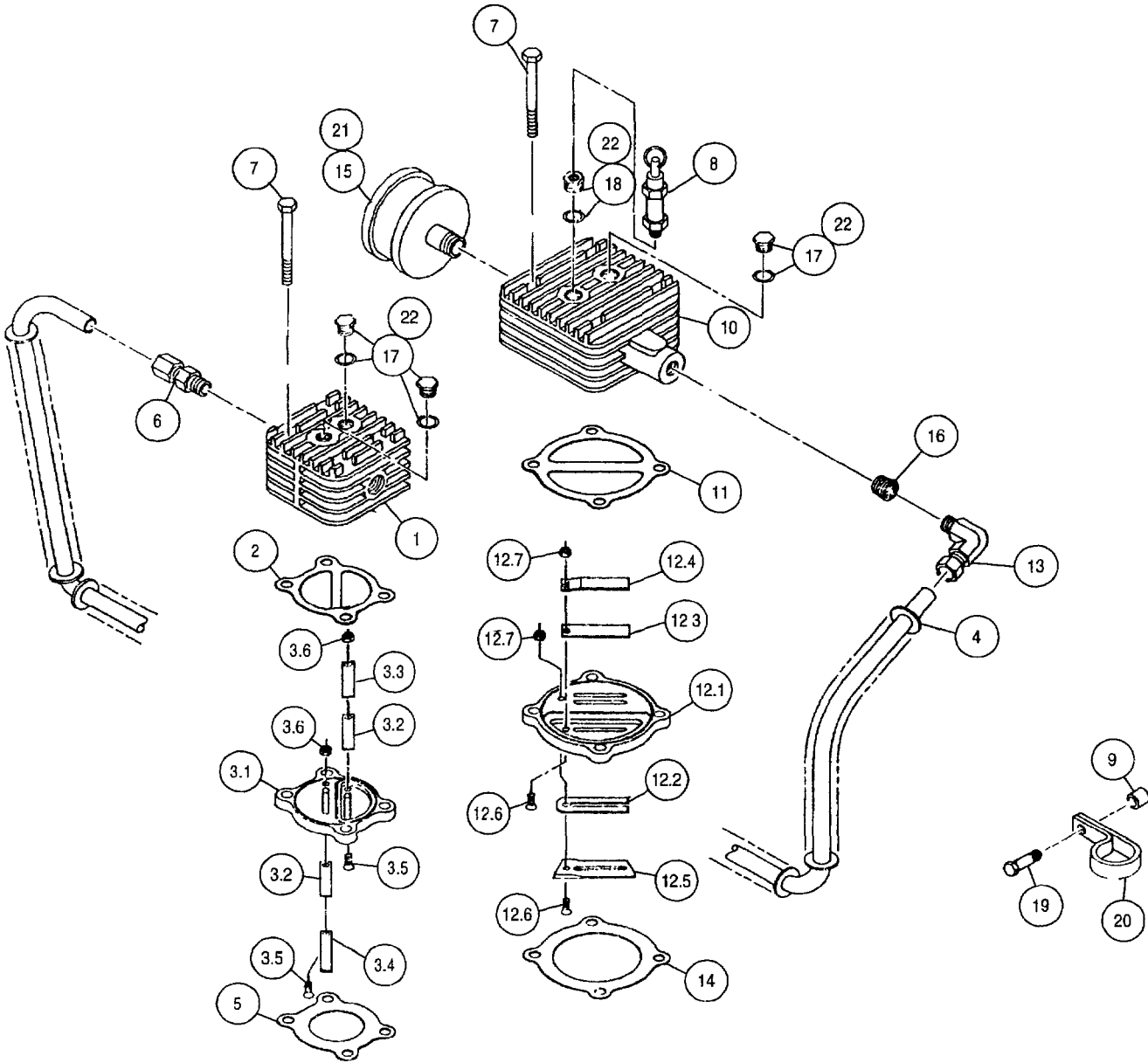
Item Number	Qty.	Part Number	Description
1	1	111111	connecting rod assembly
1.1	1		connecting rod (N.S.S.; order 111111)
1.2	2	110511-K15	taptite screw, 5/16-18 unc x 1.50 (@ 20-22 ft.-lbs.)
1.3	2	110428N031	flatwasher, 5/16
1.4	1	111112	needle bearing
2	1	111432	high pressure piston
3	1	110190-014	piston pin
4	2	111105-002	piston pin plug
5	2	111124	oil ring rail
6	1	111123	oil ring expander
7	3	111114	piston ring
Maintenance Parts			
2	1	111432-010	high pressure piston (.010 oversize)
	1	111200	Piston Ring Set (standard)
			includes all rings necessary for installing standard size rings
	1	111200-010	Piston Ring Set (.010 oversize)
			includes all rings necessary for installing .010 oversize rings
	1	111432X	Piston Assembly, HP
			includes piston, ring set, piston pin & piston plugs
	1	111432X010	Piston Assembly, HP (.010 oversize)
			includes piston, ring set, piston pin & piston plugs
	2	110190-051	Replacement Piston Assembly, HP
			includes piston pin & plugs

N.S.S. = Not Sold Separate

@ Indicates torque value (dry threads)

CYLINDER & HEAD GROUP 111149-2

(less head unloaders)



CYLINDER & HEAD GROUP 111149-2

(less head unloaders)

Item Number	Qty.	Part Number	Description
1	1	111115-5	cylinder head, high pressure
2	1	111274-001	gasket, head to valve plate
3	1	111227X2	valve plate assembly, high pressure
3.1	1	111227-2	valve plate, (N.S.S.; order 111227X2)
3.2	2	112359-2	reed valve, (N.S.S.; order 111227X2)
3.3	1	112381-2	valve bumper (N.S.S.; order 111227X2)
3.4	1	112379	valve bumper (N.S.S.; order 111227X2)
3.5	2	112728-J12	flathead screw, 1/4-20 unc x 1.00, grade 8
3.6	2	112373-J02	hex. nut, 1/4-20 unc (@ 120 in.-lbs.)
4	1	111121	intercooler
5	1	111228-004	gasket, cylinder to valve plate
6	1	23271	tube fitting, straight, 3/4 tube x 3/4 npt
7	8	123478-L25	hex. screw, 3/8-16 unc x 4.00, grade 5 (@ 30 ft.-lbs.)
8	1	2961-100	pressure relief valve
9	1	110613-001	spacer
10	1	111118-4	cylinder head, low pressure
11	1	111229-001	gasket, head to valve plate
12	1	111226X2	valve plate assembly, low pressure
12.1	1	111226-2	valve plate (N.S.S.; order 111226X2)
12.2	1	112380	reed valve (N.S.S.; order 111226X2)
12.3	1	112359-1	reed valve (N.S.S.; order 111226X2)
12.4	1	112381-1	valve bumper (N.S.S.; order 111226X2)
12.5	1	112378-1	valve bumper (N.S.S.; order 111226X2)
12.6	2	112728-J12	flathead screw, 1/4-20 unc x 1.00, grade 8
12.7	2	112373-J02	hex. nut, 1/4-20 unc (@ 120 in.-lbs.)
13	1	110919-024	tube fitting, 90° male elbow, 3/4 tube x 3/4 npt
14	1	111228-003	gasket, cylinder to valve plate
15	1	111146F100	air filter
		or	
15	1	111550S100	air filter/silencer, hooded
16	1	112825-002	pipe bushing, 1 npt x 3/4 npt
17	3	112709-006	plug, 3/4-16 unf ("o"ring included)
18	1	112710-004	adapter, 3/4-16 unf x 1/4 npt ("o"ring included)
19	1	123478-L11	hex. screw, 3/8-16 unc x .88, Grade 5
20	1	111138	intercooler clamp
Maintenance Parts			
21	1	111146E100	air filter element, (fits 111146F100 filter)
		or	
21	1	110377E100	air filter element, (fits 111550S100 filter/silencer)
22	4	112708-908	"o"ring, silicone
	1	112713	Valve Assembly Replacement Kit, LP includes valve plate assembly & gaskets
	1	112714	Valve Assembly Replacement Kit, LP includes valve plate assembly & gaskets

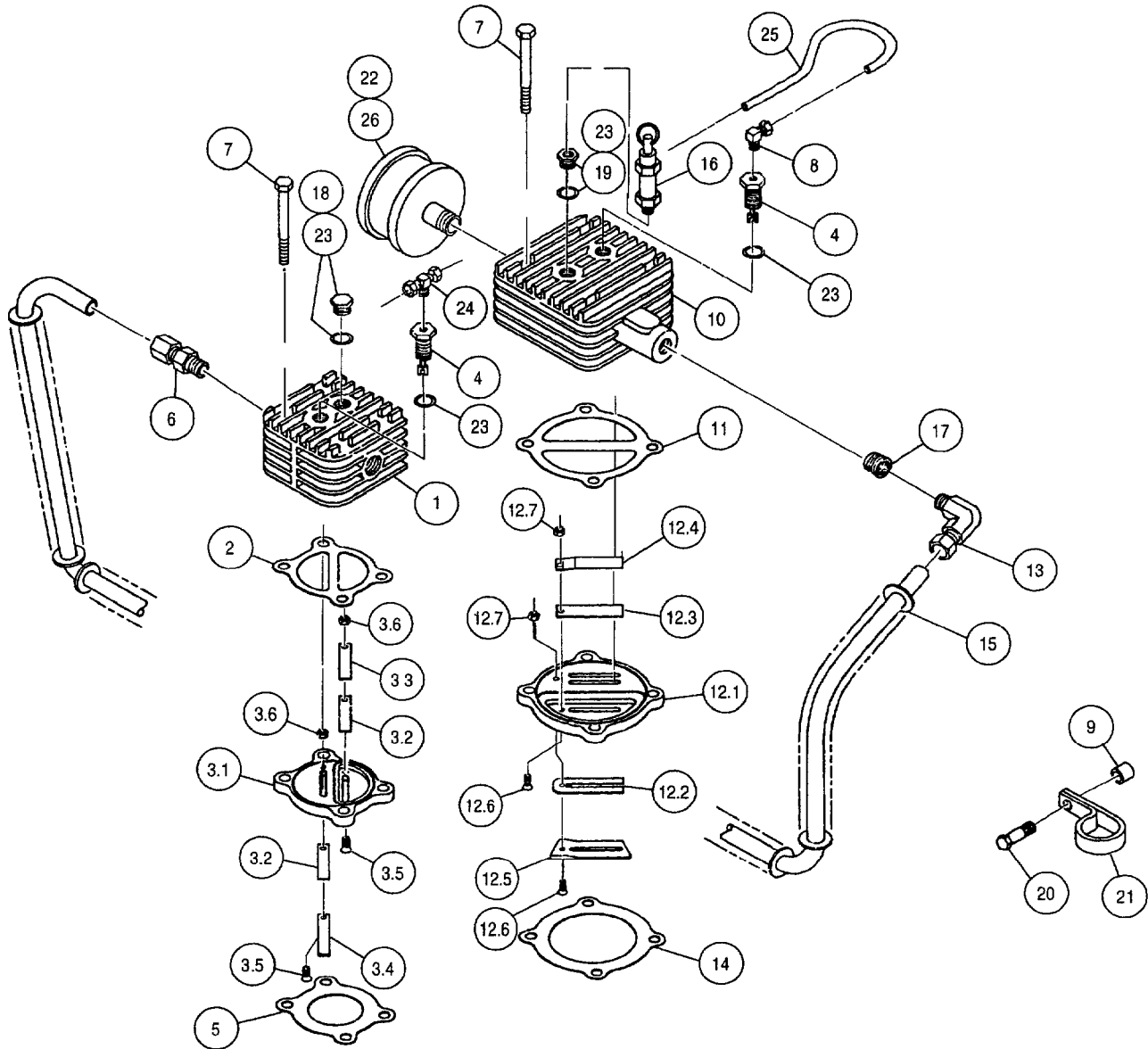
N.S.S. = Not Sold Separate

@ Indicates torque value (dry threads)

Note: Tighten all bolts & capscrews in any bolt pattern, evenly bringing each bolt to torque in equal increments, while moving about the bolt pattern. This is particularly true of connecting rod & head bolts.

HEAD GROUP 111149-3

(with head unloaders)



CYLINDER & HEAD GROUP 111149-3

(with head unloaders)

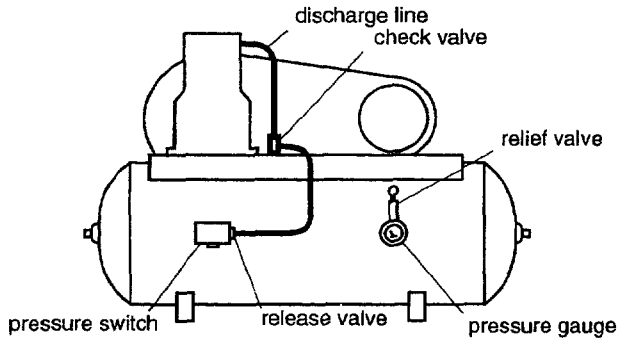
Item Number	Qty.	Part Number	Description
1	1	111115-5	cylinder head, high pressure
2	1	111274-001	gasket, head to valve plate
3	1	111227X2	valve plate assembly, high pressure
3.1	1	111227-2	valve plate, (N.S.S.; order 111227X2)
3.2	2	112359-2	reed valve, (N.S.S.; order 111227X2)
3.3	1	112381-2	valve bumper (N.S.S.; order 111227X2)
3.4	1	112379	valve bumper (N.S.S.; order 111227X2)
3.5	2	112728-J12	flathead screw, 1/4-20 unc x 1.00, grade 8
3.6	2	112373-J02	hex. nut, 1/4-20 unc (@ 120 in.-lbs.)
4	2	111591X1	unloader
5	1	111228-004	gasket, cylinder to valve plate
6	1	23271	tube fitting, straight, 3/4 tube x 3/4 npt
7	8	123478-L25	hex. screw, 3/8-16 unc x 4.00, grade 5 (@ 30 ft.-lbs.)
8	1	2708	tube fitting, 90° male elbow, 1/4 tube x 1/4 npt
9	1	110613-001	spacer
10	1	111118-4	cylinder head, low pressure
11	1	111229-001	gasket, head to valve plate
12	1	111226X2	valve plate assembly, low pressure
12.1	1	111226-2	valve plate (N.S.S.; order 111226X2)
12.2	1	112380	reed valve (N.S.S.; order 111226X2)
12.3	1	112359-1	reed valve (N.S.S.; order 111226X2)
12.4	1	112381-1	valve bumper (N.S.S.; order 111226X2)
12.5	1	112378-1	valve bumper (N.S.S.; order 111226X2)
12.6	2	112728-J12	flathead screw, 1/4-20 unc x 1.00, grade 8
12.7	2	112373-J02	hex. nut, 1/4-20 unc (@120 in.lbs.)
13	1	110919-024	tube fitting, 90° male elbow, 3/4 tube x 3/4 npt
14	1	111228-003	gasket, cylinder to valve plate
15	1	111121	intercooler
16	1	2961-100	pressure relief valve
17	1	112825-002	pipe bushing, 1 npt x 3/4 npt
18	1	112709-006	plug 3/4-16 unf ("o"ring included)
19	1	112710-004	adapter, 3/4-16 unf x 1/4 npt ("o"ring included)
20	1	123478-L11	hex. screw, 3/8-16 unc x .88, grade 5 (@ 30 ft.-lbs.)
21	1	111138	intercooler clamp
22	1	111549	air filter (standard)
	or		
22	1	110377S100	air filter/silencer, hooded (optional)
	or		
22	1	110377S101	air filter/silencer, hooded (optional for gas engine driven models)
23	2	112708-908	"o"ring, silicone
24	1	124351-004	tube fitting, male branch tee, 1/4 tube x 1/4 npt
25	1ft	110515-025	copper tube, 1/4 o.d.
Maintenance Parts			
26	1	110377E075	air filter element. (fits 111549 air filter)
	or		
26	1	110377E100	airfilter element, (fits 110377S100 & 110377S101 air filters)
	1	112713	Valve Assembly Replacement Kit, LP includes valve plate assembly & gaskets
	1	112714	Valve Assembly Replacement Kit, HP includes valve plate assembly & gaskets

N.S.S. = Not Sold Separate

@ Indicates torque value (dry threads)

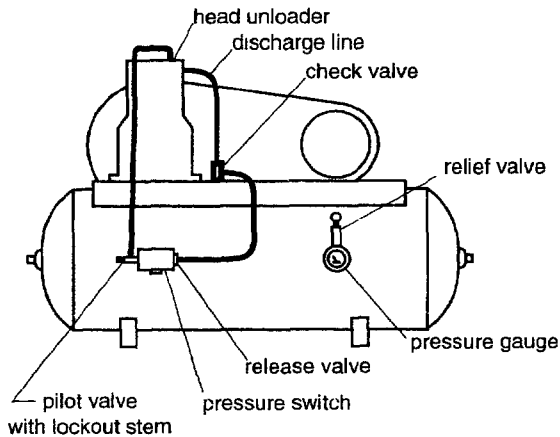
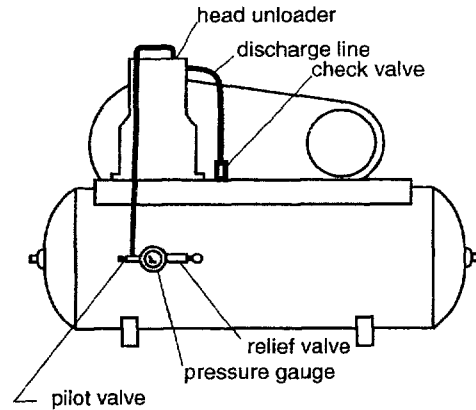
Note: Tighten all bolts & capscrews in any bolt pattern, evenly bringing each bolt to torque in equal increments, while moving about the bolt pattern. This is particularly true of connecting rod & head bolts.

CONTROL PIPING SCHEMATICS



**Control Piping
For Automatic Start/Stop
Operation**
(with loadless starting)

**Control Piping
For Continuous Run
Operation**



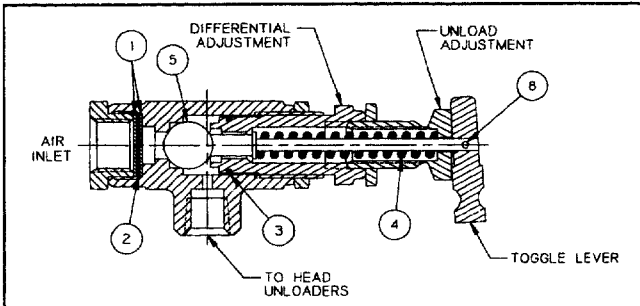
**Control Piping
For Dual Control
Operation**

*Pilot valve is open (stem screwed out)
for Continuous Run operation*

*Pilot valve is closed (stem screwed in)
for automatic Start/Stop operation
(with loadless starting)*

PIX 1186.eps

PILOT VALVES

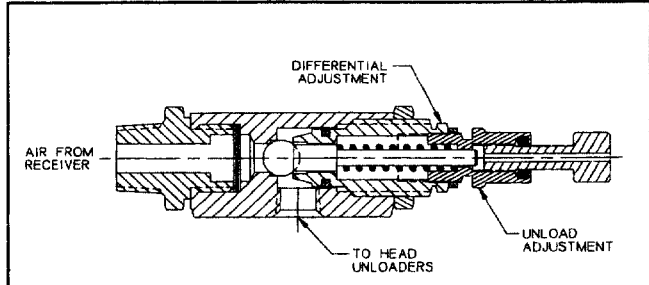


110832 Series Pilot Valve (continuous run operation)

Add dash # listed below to 110832 (per pressure setting) to obtain correct pilot valve.

Dash #	Load PSI	Unload PSI
-100	90	100
-997	*	30-70 adjustable
-998	*	71-150 adjustable
-999	*	151-175 adjustable

* Customer to set, see differential setting chart. Additional factory preset valves are available upon request.



110998 Series Pilot Valve (dual control operation)

Add dash # listed below to 110998 (per pressure setting) to obtain correct pilot valve.

Dash #	Load PSI	Unload PSI
-115	100	115
-140	125	140
-165	150	165

Pilot Valve Repair Kit 110832-051
Can be used to repair 110832 series pilot valves only. Customer must specify which spring when ordering repair kit.

Item #	Qty.	Part Number	Description
1	2		screen
2	1		filter
3	1		"o"ring
4	1	see chart below	pilot valve spring
5	1		ball

Differential Setting Chart
Applies to 110998 series pilot valves only.

Unload (p.s.i.)	Min. Dif. (p.s.i.)	Max. Dif. (p.s.i.)
40	2	5
60	3	10
100	4	20
150	5	30
175	5	45

Differential Setting Chart			
Spring Part # (Item 4)	Unload (p.s.i.)	Min. Dif. (p.s.i.)	Max. Dif. (p.s.i.)
110832-052 (red)	30	2	4
"	40	5	8
"	50	5	8
"	60	5	8
"	70	5	10
110832-053 (yellow)	80	5	10
"	90	5	12
"	100	5	13
"	110	5	15
"	120	5	15
"	130	5	18
"	140	5	18
"	150	5	20
110832-054 (green)	160	5	15
"	170	5	20
"	175	5	23

WARNING !
Not all pilots are for use with all compressor systems. Make sure that the pilot you order is set within the safe operating limits of your compressor. Failure to heed this warning could result in an explosion.

SUCTION VALVE UNLOADER ASSEMBLIES

Description

The Quincy suction valve unloader assembly consists of unloading assemblies on the suction valves, having a plunger to contact the suction valve reed and an unloader pilot valve (110832 or 110998 series) to automatically regulate the passing of air tank pressure to the unloading arrangement.

Continuous Run Operation

Suction valve unloader assemblies are recommended for use on Quincy compressors where the compressor is to run continuously and a constant pressure is to be maintained. The purpose is to automatically unseat the suction valve of the compressor when the air supply is greater than the demand.

Unloading occurs when air tank pressure is sufficient to overcome pilot valve spring pressure. The check ball is then unseated, allowing air tank pressure to pass to the unloader assemblies. The compressor will run unloaded until the air tank pressure drops to a predetermined level. At this time, the action of the ball is reversed, shutting off air tank pressure to the unloader assemblies and venting the unloader to atmosphere. This allows the compressor to load. The drive, either electric motor or engine, runs continuously and must be started and stopped manually. 110832 series pilot valves feature a toggle lever which can be flipped to provide manual unloading.

Dual Control Operation

Dual control operation is designed to provide a choice between "start/stop" or "continuous run" operation. The 110998 series pilot valve can be set for "start/stop" operation by turning the knurled knob at the end of the pilot valve (refer to illustration for 110998 series pilot valve) clockwise until it stops. Under these circumstances, a pressure switch is required to stop the motor. Failure to use a pressure switch, with the pilot valve locked out, will result in unsafe conditions.

WARNING !

A pressure switch must be incorporated whenever 110998 series pilot valve is employed as part of the control system.

The compressor will operate in the continuous run mode if the knurled knob is turned counterclockwise until it stops.

Installation

The pilot valve is mounted directly into the air tank. Compressors in the field, not equipped with these controls, can be converted. Consult your local Quincy Compressor Distributor for assistance with conversion procedures.

Service

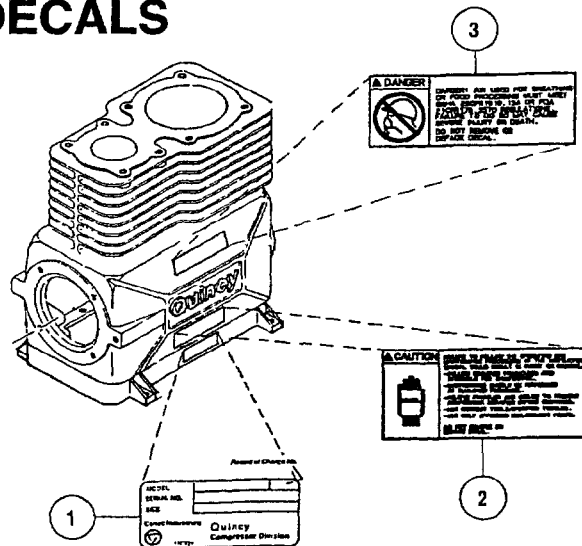
If a change in pilot valve operation is detected, remove the pilot valve from the air tank and check the screen in the inlet of the pilot valve for obstructions. Clean the screen if necessary.

Adjustment

The unloading pressure is adjustable and is regulated by turning the unload adjustment hex nut (refer to pilot valve illustrations). Turn the hex nut clockwise to increase and counterclockwise to decrease the unloading pressure.

The differential (difference between unloading and loading pressure) is set by turning the differential adjustment hex nut (refer to pilot valve illustrations). Increase the differential pressure by turning the hex nut clockwise - decrease by turning counterclockwise. Make all adjustments in small increments. Tighten the locknuts after adjustment.

DECALS



Decals			
Item #	Qty.	Part Number	Description
1	1	110831	serial number & nameplate
2	1	127889-A	decal, CAUTION!, MANUAL
3	1	127889-B	decal, DANGER!, "Air from this..."

Overhaul Kit KQT5F (for gas engine driven models)			
Item #	Qty.	Part Number	Description
1		111200	Piston Ring Set
1		111199	Piston Ring Set
1		111203	Gasket Set & "O"ring Kit
1		111226X2	valve plate assembly, LP
1		111227X2	valve plate assembly, HP
1		110377E100	air filter element
1		110190-013	piston pin
1		110190-014	piston pin
1		111333	crankcase breather
1		111110	connecting rod assembly
1		111111	connecting rod assembly

Head Kit KQT5A (for models without head unloaders)			
Item #	Qty.	Part Number	Description
1		112713	Replacement Valve Assembly, LP
1		112714	Replacement Valve Assembly, HP
1		111146E100	air filter element

Head Kit KQT5C (for models with head unloaders)			
Item #	Qty.	Part Number	Description
1		112713	Replacement Valve Assembly, LP
1		112714	Replacement Valve Assembly, HP
1		110377E075	air filter element

Overhaul Kit KQT5B (for models without head unloaders)			
Item #	Qty.	Part Number	Description
1		111200	Piston Ring Set
1		111199	Piston Ring Set
1		111203	Gasket Set & "O"ring Kit
1		111226X2	valve plate assembly, LP
1		111227X2	valve plate assembly, HP
1		111146E100	air filter element
1		110190-013	piston pin
1		110190-014	piston pin
1		111333	crankcase breather
1		111110	connecting rod assembly
1		111111	connecting rod assembly

Head Kit KQT5E (for gas engine driven models)			
Item #	Qty.	Part Number	Description
1		112713	Replacement Valve Assembly, LP
1		112714	Replacement Valve Assembly, HP
1		110377E100	air filter element

Gasket Set 111203			
Item #	Qty.	Part Number	Description
1		111228-003	gasket, cylinder to valve plate
1		111228-004	gasket, cylinder to valve plate
1		111229-001	gasket, head to valve plate
1		111274-001	gasket, head to valve plate
1		111106	oil seal
1		123157-112	"o"ring, 3/32 wide x .69 o.d.
1		123157-115	"o"ring, 3/32 wide x 7.19 o.d.
2		123157-155	"o"ring, 1/8 wide x 10.75 o.d.
1		123157-175	"o"ring, 3/32 wide x 9.19 o.d.

Overhaul Kit KQT5D (for models with head unloaders)			
Item #	Qty.	Part Number	Description
1		111200	Piston Ring Set
1		111199	Piston Ring Set
1		111203	Gasket Set & "O"ring Kit
1		111226X2	valve plate assembly, LP
1		111227X2	valve plate assembly, HP
1		110377E075	air filter element
1		110190-013	piston pin
1		110190-014	piston pin
1		111333	crankcase breather
1		111110	connecting rod assembly
1		111111	connecting rod assembly

Recommended Spare Parts			
Item #	Qty.	Part Number	Description
1		110377E100	air filter element, (fits 110377S100 and 110377S101 air filters; optional)
or			
1		111146E100	air filter element, (fits 111146F100 filter; for plain heads)
or			
1		110377E075	air filter element, (fits 111549 filter, standard)
1		112085	gasket set
1		112713	valve assy. replacement kit, LP
1		112714	valve assy. replacement kit, HP

TYPICAL UNIT REPAIR PARTS LIST

The parts listed here are for standard QT-5 (up to 175 p.s.i.) units and may or may not be applicable to custom built units. Check with your local authorized Quincy Compressor Distributor for parts that can be used for custom built units. Make sure the components you order are rated within the safe operating limits of your system. If you are doubtful about which components to order, contact your local Quincy Compressor distributor.

(QT-5 simplex - horizontal tank - electric motor)

Qty	Part Number	Part Number	Part Number	Description
	60 gal.	80 gal.		
1	113266-200	113268-200		tank (200 psi maximum operating pressure)
1	113274	N/A		top plate
1	2713	2713		tank drain valve
1	111136-075	111136-075		service valve
1	110514-200	110514-300		pressure gauge
1	110512-005	110512-005		pressure switch
1	110513-200	110513-200		pressure relief valve (in tank; 200 psi)
1	111089-215	111089-215		pressure relief valve (in discharge line; 215 psi)
1	111491	111491		check valve
4 ft.	110515-075	110515-075		discharge tube
2	110948-075	110948-075		ferrule/sleeve
1	<i>110945K003</i>	<i>110945K003</i>		belt guard assembly
	3 H.P.	5 H.P.		
2	<i>110258B057</i>	<i>110258B062</i>		drive belt
1	<i>110380-118</i>	<i>110591-118</i>		motor pulley
	115/230v, 1Ø	200v, 3Ø	230/460v, 3Ø	
1	<i>4003</i>	<i>8098</i>	<i>124517-006</i>	3 h.p. motor (O.D.P.)
1	<i>*127466I005</i>	<i>8099</i>	<i>124517-005</i>	5 h.p. motor (O.D.P.)

* 230 volt only

(QT-5 duplex - horizontal tank - electric motor)

Qty	Part Number	Part Number	Part Number	Description
	80 gal.	120 gal.		
1	113466-200	113467-200		tank (200 psi maximum operating pressure)
2	113274	<i>113281</i>		top plate
1	2713	111136-050		tank drain valve
1	111136-075	111136-100		service valve
1	110514-300	110514-300		pressure gauge
2	110512-005	110512-005		pressure switch, 135-175 p.s.i.
1	110513-200	110513-200		pressure relief valve (in tank; 200 psi)
2	111089-215	111089-215		pressure relief valve (in discharge line; 215 psi)
2	111491	111491		check valve
8 ft.	110515-075	110515-075		discharge tube
4	110948-075	110948-075		ferrule/sleeve
2	<i>110945K003</i>	<i>110945K003</i>		belt guard assembly
	3 H.P.	5 H.P.		
2	<i>110258B057</i>	<i>110258B062</i>		drive belt
2	<i>110380-118</i>	<i>110591-118</i>		motor pulley
	115/230v, 1Ø	200v, 3Ø	230/460v, 3Ø	
2	<i>4003</i>	<i>8098</i>	<i>124517-006</i>	3 h.p. motor (O.D.P.)
2	<i>*127466I005</i>	<i>8099</i>	<i>124517-005</i>	5 h.p. motor (O.D.P.)

* 230 volt only

Part numbers shown in italics apply to tank mounted units and base mounted units.

TYPICAL UNIT REPAIR PARTS LIST

The parts listed here are for standard QT-5 (up to 175 p.s.i.) units and may or may not be applicable to custom built units. Check with your local authorized Quincy Compressor Distributor for parts that can be used for custom built units. Make sure the components you order are rated within the safe operating limits of your system. If you are doubtful about which components to order, contact you local Quincy distributor.

(QT-5 vertical tank - electric motor)

Qty	Part Number	Part Number	Part Number	Description
	60 gal.	80 gal.		
1	113267-200	113270-200		tank (200 p.s.i. max. working pressure)
1	110425-050	110425-050		tank drain valve
1	111136-075	111136-075		ball valve
1	110514-300	110514-300		pressure gauge
1	110512-005	110512-005		pressure switch (135-175 p.s.i.)
1	110513-200	110513-200		pressure relief valve (in tank; 200 p.s.i.)
4 ft.	110515-075	110515-075		! discharge tube (3/4" copper tube to be formed by customer)
2	110948-075	110948-075		ferrule/sleeve
1	111491	111491		check valve
1	111089-215	111089-215		relief valve (in discharge line; 215 psi)
	3 H.P.	5 H.P.		
2	110258B057	110258B062		drive belt
1	110380-118	110591-118		motor pulley
	115/230v, 1Ø	200v, 3Ø	230/460v, 3Ø	
1	4003	8098	124517-006	3 h.p. motor (O.D.P.)
1	**127466I005	8099	124517-005	5 h.p. motor (O.D.P.)

! Pre-formed discharge tubes are available. Contact factory with model & tank size information.

* 230 volt only.

(QT-5 gasoline engine driven)

Qty	Part Number	Part Number	Part Number	Description
	base unit	tank unit		
1		113727-200		tank (200 p.s.i. maximum operating pressure)
1	113764			top plate
1		111136-025		tank drain valve
1		111136-050		ball valve
1		110514-300		pressure gauge
1		110513-200		pressure relief valve (in tank; 200 p.s.i.)
1	110357B070	110357B070		drive belt
1	111221	111221		engine pulley
1	110623	110623		engine pulley bushing
1	113702K003	113702K003		belt guard assembly
1	113696	113696		throttle control
1	113698	113698		Kohler engine group, 11 h.p. (includes exhaust system & throttle control)
3 ft.		110515-075		! discharge tube (3/4" copper tube to be formed by customer)
2		110948-075		ferrule/sleeve
1		111089-215		relief valve (in discharge line; 215 psi)
1		110965-107		check valve
1		113708-175		pilot (165-175 psi)

! Pre-formed discharge tubes are available. Contact factory with model & tank size information.

NATIONWIDE SALES & SERVICE

Quincy Service is always near.
There are Authorized Quincy Distributors located
throughout the United States & Canada that stock
genuine Quincy parts & accessories for a wide
range of Quincy products.

Quincy Service specialists are factory trained and
will help keep you in business. Call for Authorized
Quincy Service.

For reciprocating products
and natural gas engine driven
helical screw products:
call 1-217-222-7700
or *fax requests to 1-800-219-9126*

For all other helical screw products:
call 1-334-937-5900
or *fax requests to 1-800-219-9131*



Quincy
Compressor Division

Coltec Industries

