



SS3J2-WB

SS3J3-WB

**Owner's Manual
With Parts List**

More Than Air. Answers.
Online answers: <http://www.air.irco.com>
PHONE: 1-800-526-3615

CCN: 22204879
REV. A
OCTOBER 2002

CONSUMER INFORMATION SHEET

Thank you for purchasing an Ingersoll-Rand product. We trust that it will offer you many years of trouble-free service. If you encounter any problems or need assistance, please refer to the information provided in this sheet.

INSTALLATION, OPERATION, MAINTENANCE & TROUBLESHOOTING ISSUES

Read the owner's manual first. Often this will clarify your understanding. If you still have problems, please call the toll-free hotline.

MISSING PARTS

If parts are missing call the toll free hotline. Have the serial number, part number, model number and parts list (with missing parts circled) handy when you call. Your parts will be shipped immediately.

SHIPPING DAMAGE OR DEFECTIVE PARTS

Each new product is inspected and in good condition prior to shipment from the factory. If your product was received in a condition that was less than satisfactory, or if you discover a defect that requires service or adjustment by qualified personnel, please contact your nearest authorized service representative.

DO NOT RETURN THE PRODUCT TO YOUR RETAILER!

**NOTE REGARDING
EXTENSION CORDS**

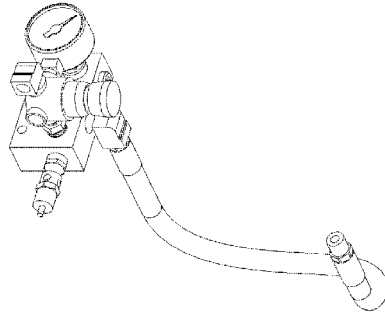
To avoid power loss and
overheating, use additional air
hose instead of an extension
cord.

**PARTS & SERVICE HOTLINE:
1-800-AIR SERV
(1-800-247-7378)**

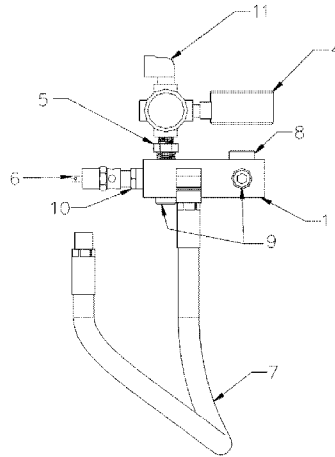
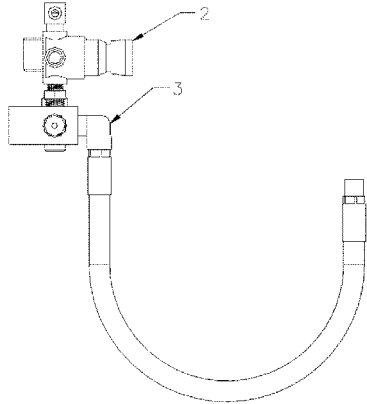
NOTES

Instruction Sheet
Assembly Instructions for Model SS3J3-WB

REGULATOR OUTLET OPTION

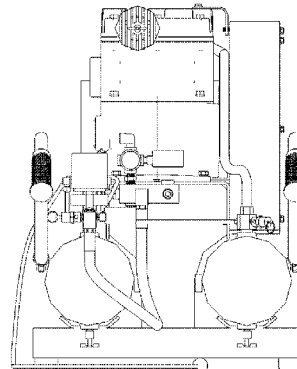


REF. NO.	PART NO.	DESCRIPTION	QTY.
REF.	20102828	ASSEMBLY, REGULATOR OUTLET	1
1	54390877	• MANIFOLD	1
2	37992849	• REGULATOR	1
3	32224958	• ELBOW, STREET - 3/8 X 3/8	1
4	56269608	• GAUGE, PRESSURE	1
5	95916011	• NIPPLE	1
6	97010094	• VALVE, SAFETY/RELIEF	1
7	54465612	• ASSEMBLY, HOSE	1
8	32179020	• PLUG, PIPE - 1/2	1
9	95078663	• PLUG, 3/8	2
10	95245346	• BUSHING, REDUCING - 3/8 X 1/4	1
11	37143542	• ELBOW, STREET - 1/4 X 1/4	1
*	32164634	CAPSCREW, 5/16 X 3/4	2
**	95245353	BUSHING, BRASS - 1/2 X 3/8	1
**	32224958	ELBOW, STREET - 3/8 X 3/8	1



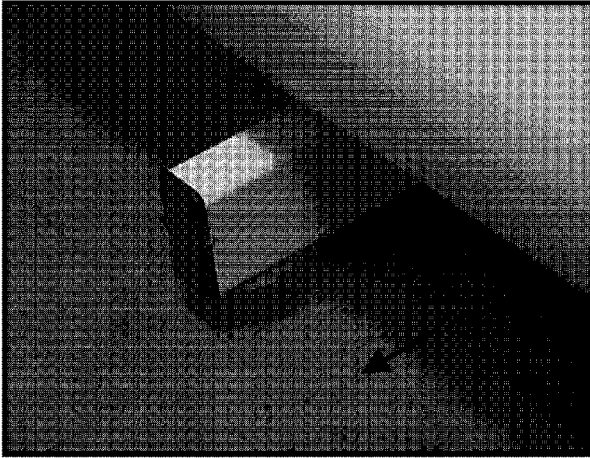
NOTES:

- * USE TO MOUNT MANIFOLD TO BASEPLATE
- ** USE TO CONNECT HOSE END TO AIR OUTLET (SERVICE VALVE)

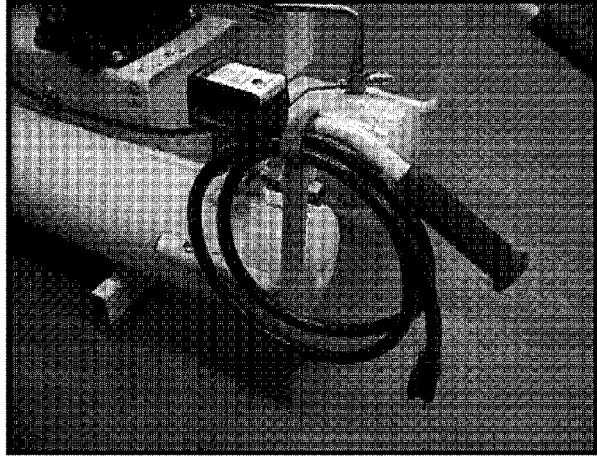


LOOSE PARTS

Install the vibration isolators on each foot before operating the unit.



Use the strap provided to secure the power cord to the handle when the unit is not in use.

**NOTES**

--

Installation, Operation and Maintenance Instructions for Models SS3J2-WB and SS3J3-WB

IMPORTANT INFORMATION! READ AND FOLLOW THESE INSTRUCTIONS. RETAIN FOR REFERENCE.

SAFETY

DEFINITIONS

- △ **DANGER** WILL cause DEATH, SEVERE INJURY or substantial property damage.
- △ **WARNING** CAN cause DEATH, SEVERE INJURY or substantial property damage.
- △ **CAUTION** WILL or CAN cause MINOR INJURY or property damage.

GENERAL SAFETY PRECAUTIONS

- △ **DANGER** **INTAKE AIR.** Can contain carbon monoxide or other contaminants. Will cause serious injury or death. Ingersoll-Rand air compressors are not designed, intended or approved for breathing air. Compressed air should not be used for breathing air applications unless treated in accordance with all applicable codes and regulations.
- △ **WARNING** **HAZARDOUS VOLTAGE.** Can cause serious injury or death. Disconnect power and bleed pressure from tank before servicing. Lockout/Tagout machine. Compressor must be connected to properly grounded circuit. See grounding instructions in manual. Do not operate compressor in wet conditions. Store indoors.
MOVING PARTS. Can cause serious injury. Do not operate with guards removed. Machine may start automatically. Disconnect power before servicing. Lockout/Tagout machine.
HOT SURFACES. Can cause serious injury. Do not touch. Allow to cool before servicing. Do not touch hot compressor or tubing.
HIGH PRESSURE AIR. Bypassing, modifying or removing safety/relief valves can cause serious injury or death. Do not bypass, modify or remove safety/relief valves. Do not direct air stream at body. Rusted tanks can cause explosion and severe injury or death. Drain tank daily or after each use. Drain valve located at bottom of tank.
- △ **CAUTION** **RISK OF BURSTING.** Use only suitable air handling parts acceptable for pressure of not less than the maximum allowable working pressure of the machine.

GENERAL INFORMATION

Your air compressor unit is suitable for operating air tools, caulking guns, grease guns, sandblasters, etc. Depending on your application, the following accessories may be required:

- An air pressure regulator to adjust the air pressure entering the tool or accessory.
- An air line filter for removal of moisture and oil vapor in compressed air.
- An in-line lubricator to prolong the life of air tools.
- Separate air transformers which combine the functions of air regulation and/or moisture and dirt removal.

Contact your nearest authorized dealer or call 1-800-AIR-SERV for more information on air tools and accessories for your application.

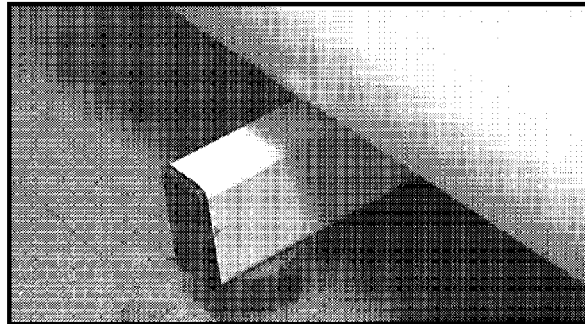
PREPARATION FOR USE

TRANSPORTING THE UNIT

- △ **CAUTION** The wheels and handle do not provide adequate clearance, stability or support for pulling the unit up and down stairs or steps. The unit must be lifted or pushed up a ramp.

INSTALLING VIBRATION ISOLATORS

Install the vibration isolators on each foot as shown before operating the unit.



SELECTING A LOCATION

GENERAL. Select a clean, dry, well-lighted area with plenty of space for proper cooling air flow and accessibility. Locate the unit at least 12 inches (30 cm) from walls. Ensure unit is as level as possible.

- △ **WARNING** This equipment incorporates arcing or sparking parts, such as snap switches, receptacles and the like that tend to produce arcs or sparks and, therefore, when located in a garage, it should be in a

room or enclosure provided for the purpose, or should be 18 inches (457 mm) or more above the floor.

TEMPERATURE. Ideal operating temperatures are between 32°F and 100°F (0°C and 37.8°C). In lower temperatures, you must protect safety/relief valves and drain valves from freezing.

△ **CAUTION** Never operate in temperatures below 20°F (-6.6°C) or above 125°F (51.0°C).

HUMID AREAS. In frequently humid areas, moisture may form in the bare pump and produce sludge in the lubricant, causing running parts to wear out prematurely. Excessive moisture is especially likely to occur if the unit is located in an unheated area that is subject to large temperature changes. Two signs of excessive humidity are external condensation on the bare pump when it cools down and a "milky" appearance in petroleum compressor lubricant. You may be able to prevent moisture from forming in the bare pump by increasing ventilation or operating for longer intervals.

NOISE CONSIDERATIONS. Consult local officials for information regarding acceptable noise levels in your area. To reduce excessive noise, use vibration mounts or intake silencers, relocate the unit or construct total enclosures or baffle walls. Contact your dealer for assistance.

INSTALLING THE AIR INLET FILTER

△ **CAUTION** Do not operate without air inlet filter.

Install the air inlet filter at the inlet connection at the bare pump. If heavy duty filtration is required, contact your dealer for information.

INSTALLING EQUIPMENT TO AIR DISCHARGE

△ **WARNING** If an aftercooler, check valve, block valve, or any other restriction is added to the compressor discharge, install a properly-sized ASME approved safety/relief valve between the compressor discharge and the restriction.

△ **CAUTION** If you will be using Ingersoll-Rand synthetic compressor lubricant, all downstream piping material and system components must be compatible. Refer to the following material compatibility list. If there are incompatible materials present in your system, or if there are materials not included in the list, contact your dealer.

Suitable:

Viton®, Teflon®, Epoxy (Glass Filled), Oil Resistant Alkyd, Fluorosilicone, Fluorocarbon, Polysulfide, 2-Component Urethane, Nylon, Delrin®, Celcon®, High Nitrile Rubber (Buna N. NBR more than 36% Acrylonitrile), Polyurethane, Polyethylene, Epichlorohydrin, Polyacrylate, Melamine, Polypropylene, Baked Phenolics, Epoxy, Modified Alkyds (® indicates trademark of DuPont Corporation)

Not Recommended:

Neoprene, Natural Rubber, SBR Rubber, Acrylic Paint, Lacquer, Varnish, Polystyrene, PVC, ABS, Polycarbonate, Cellulose Acetate, Low Nitrile Rubber (Buna N. NBR less than 36% Acrylonitrile), EPDM, Ethylene Vinyl Acetate, Latex, EPR, Acrylics, Phenoxy, Polysulfones, Styrene Acrylonitrile (San), Butyl

GENERAL REQUIREMENTS. The piping, fittings, receiver tank, etc. must be certified safe for at least the maximum working pressure of the unit. Use hard-welded or threaded steel or copper pipes, cast iron fittings and hoses that are certified safe for the unit's discharge pressure and temperature. DO NOT USE PVC PLASTIC. Use pipe thread sealant on all threads, and make up joints tightly to prevent air leaks.

CONDENSATE DISCHARGE PIPING. If installing a condensate discharge line, the piping must be at least one size larger than the connection, as short and direct as possible, secured tightly and routed to a suitable drain point. Condensate must be disposed of in accordance with local, state, and federal laws and regulations.

NOTE All compressed air systems generate condensate which accumulates in any drain point (e.g. tanks, filters, drip legs, aftercoolers, dryers). This condensate contains lubricating oil and/or substances which may be regulated and must be disposed of in accordance with local, state, and federal laws and regulations.

ELECTRICAL WIRING & GROUNDING

△ **WARNING** Any electrical installation and service required should be performed by a qualified electrician who is familiar with all applicable local, state and federal laws and regulations.

NOTE This product should be connected to a grounded, metallic, permanent wiring system, or an equipment-grounding terminal or lead on the product.

GENERAL. The motor rating, as shown on the motor nameplate, and the power supply must have compatible voltage, phase and hertz characteristics.

WIRE SIZE. The electrical wiring between the power supply and electric motor varies according to motor horsepower. Power leads must be adequately sized to protect against excessive voltage drop during start-up. Information for selecting the proper wire size and securing connections should be provided with the motor. If not, refer to the National Electric Code (NEC) or applicable local, state and federal laws and regulations. If other electrical equipment is connected to the same circuit, the total electrical load must be considered in selecting the proper wire size. DO NOT USE UNDERSIZE WIRE.

FUSES. Refer to the National Electric Code to determine the proper fuse or circuit breaker rating required. When selecting fuses, remember the momentary starting current of an electric motor is greater than its full load current. Time-delay or "slow-blow" fuses are recommended.

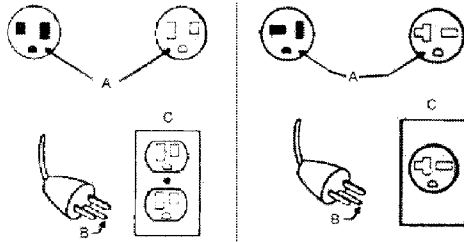
GROUNDING. The unit is equipped with a power cord having a grounding wire and an appropriate grounding plug. The plug must be used with an outlet that has been installed and grounded in accordance with all local codes and ordinances. The outlet must have the same configuration as the plug. DO NOT USE AN ADAPTER.

△ **WARNING** In the event of a short circuit, grounding reduces the risk of shock by providing an escape for the electric current. The unit must be properly grounded.

△ **DANGER** Improper installation of the grounding plug can result in a risk of electric shock. If repair or replacement of the cord or plug is necessary, do not connect the grounding wire to either flat blade terminal. The wire with insulation having an outer surface that is green with or without yellow stripes is the grounding wire.

Check with a qualified electrician or serviceman if the grounding instructions are not completely understood, or if in doubt as to whether the product is properly grounded. Do not modify the plug provided; if it will not fit the outlet, have the proper outlet installed by a qualified electrician.

Typical 110 Volt Plug (Left) and 240 Volt Plug



A=Ground

B=Grounding Pin

C=Outlet

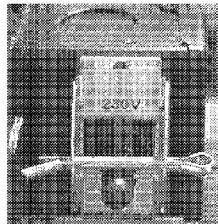
NOTE: On Model SS3J2-WB, the unit is pre-wired for 115 volts. For use on a 230 volt supply, the toggle switch on the motor must be switched to 230 volts. Additionally, the existing 115 volt plug on the power cord must be cut off and replaced with a UL listed 230 volt, 15 amp plug.

Model SS3J2-WB Voltage Toggle Switch

The toggle switch is located on the front of the motor.

To change motor voltage:

1. Remove pin.
2. Move toggle switch to desired voltage.
3. Replace pin.
4. Replace plug on power cord with suitable plug.



EXTENSION CORDS. It is preferable to use extra air hose instead of an extension cord to avoid voltage drop and power loss to the motor, and to prevent overheating. If an extension cord must be used, ensure it meets the following criteria:

- Three wire cord with a three blade grounding plug, and a three slot receptacle that will accept the plug on the unit.
- Good condition
- No longer than 50 feet.
- 12 gauge or larger.

NOTE Wire size increases as gauge number decreases. For example, 10 AWG and 8 AWG wire is acceptable, whereas 14 or 16 AWG are NOT acceptable.

COMPRESSOR LUBRICATION

CAUTION Do not operate without lubricant or with inadequate lubricant. Ingersoll-Rand is not responsible for compressor failure caused by inadequate lubrication.

SYNTHETIC LUBRICANT. We recommend Ingersoll-Rand synthetic compressor lubricant from start-up. See the WARRANTY section for extended warranty information.

ALTERNATE LUBRICANTS. You may use a petroleum-based lubricant that is premium quality, does not contain detergents, contains only anti-rust, anti-oxidation, and anti-foam agents as additives, has a flashpoint of 440°F (227°C) or higher, and has an auto-ignition point of 650°F (343°C) or higher. Remember using a lubricant other than Ingersoll-Rand synthetic compressor lubricant from start-up limits warranty to one year.

See the petroleum lubricant viscosity table below. The table is intended as a general guide only. Heavy duty operating conditions require heavier viscosities. Refer specific operating conditions to your dealer for recommendations.

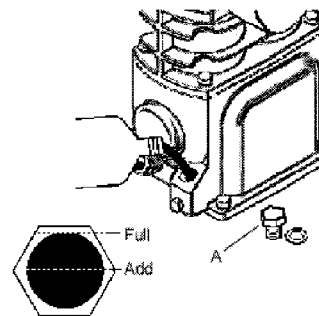
Temperature Around Unit °F	Viscosity @ 100°F (37.8°C) °C	Viscosity Grade			
		SUS	Centistokes	ISO	SAE
40 & below	4.4 & below	150	32	32	10
40 - 80	4.4 - 26.7	500	110	100	30
80 - 125	26.7 - 51.0	750	165	150	40

If you use a petroleum-based compressor lubricant at start-up and decide to convert to Ingersoll-Rand synthetic compressor lubricant later on, the compressor valves must be thoroughly decarbonized and the crankcase must be flushed before conversion.

COMPRESSOR PUMP FILLING PROCEDURES:

1. Unscrew and remove the oil fill plug (A).
2. Slowly fill the crankcase with lubricant until the lubricant reaches the top thread of the oil fill opening and the top of the sight glass. Crankcase capacity is one (1) pint (0.5 liters).
3. Replace the oil fill plug HAND TIGHT ONLY.

Filling Procedures



OPERATION

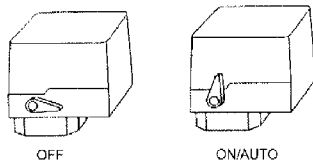
GENERAL

Your air compressor was designed for 100% continuous duty operation with the use of Ingersoll-Rand synthetic compressor lubricant and 60% continuous duty operation with the use of petroleum lubricant. In other words, synthetic lubricant allows the compressor to pump continuously without cycling. Petroleum lubricant limits the compressor to a maximum of 36 minutes of pumping time per hour. The compressor should not cycle more than 10 times per hour.

NORMAL START-UP

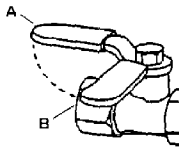
1. Set the pressure switch lever to "OFF".

Pressure Switch Lever



2. Close the service valve. (A=Open, B=Closed)

Typical Service Valve

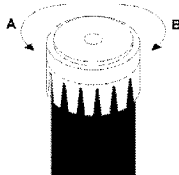


3. Attach hose and accessory.
4. Move the pressure switch lever to "ON/AUTO". The unit will start.
5. Allow tank pressure to build. The motor will stop when tank pressure reaches cut-out pressure.
6. Open the service valve. The unit is now ready for use.

NOTE When the receiver tank pressure drops below the factory pre-set minimum, the pressure switch resets and restarts the unit.

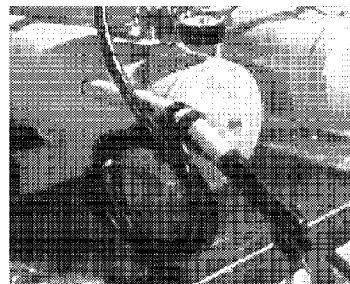
If your unit is equipped with a regulator, adjust the regulator to the desired secondary pressure by pulling the adjustment dial out and turning it clockwise (B) to increase the pressure or counterclockwise (A) to decrease the pressure. Push the dial in when the desired pressure is reached.

Regulator



SHUTDOWN

1. Set the pressure switch lever to "OFF".
2. Close the service valve fully.
3. Remove the air tool or accessory.
4. Slowly open the service valve to bleed air pressure down to 20 psig.
5. Slowly open the manual drain valve at the bottom of the tank to drain all condensate (water).
6. Close the drain valve and the service valve for the next use.
7. Roll up the power cord and use the cord strap to secure the cord to the handle.



8. Store the unit indoors.

MAINTENANCE

WARNING Unplug unit and release air pressure from the tank before performing maintenance.

NOTE All compressed air systems contain maintenance parts (e.g. lubricating oil, filters, separators) which are periodically replaced. These used parts may be, or may contain, substances that are regulated and must be disposed of in accordance with local, state, and federal laws and regulations.

NOTE Take note of the positions and locations of parts during disassembly to make reassembly easier. The assembly sequences and parts illustrated may differ for your particular unit.

NOTE Any service operations not included in this section should be performed by an authorized service representative.

ROUTINE MAINTENANCE SCHEDULE

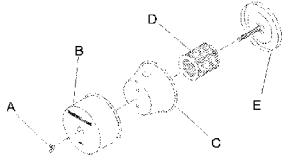
Daily or Before Each Operation	<ul style="list-style-type: none"> ● Check lubricant level. Fill as needed. ● Drain receiver tank condensate. Open the manual drain valve and collect and dispose of condensate accordingly. ● Check for unusual noise and vibration. ● Ensure covers are securely in place. ● Ensure area around compressor is free from rags, tools, debris, and flammable or explosive materials.
Weekly	<ul style="list-style-type: none"> ● Inspect air filter element. Clean or replace if necessary.
Monthly	<ul style="list-style-type: none"> ● Inspect for air leaks. Squirt soapy water around joints during compressor operation and watch for bubbles. ● Check tightness of screws and bolts. Tighten as needed. ● Clean exterior.
3/500 *	<ul style="list-style-type: none"> ● Change petroleum lubricant while crankcase is warm.
12/2000 *	<ul style="list-style-type: none"> ● Change synthetic lubricant while crankcase is warm. ● Replace filter element.

* Indicates months/operating hours, whichever occurs first.

FILTER REPLACEMENT

1. Unscrew and remove the wing nut (A).
 2. Remove the filter cover (B), baffle (C) and element (D) from the base (E).
 3. Install a new element and reassemble the filter assembly.
- NOTE:** The air intake holes in the baffle and cover must be staggered 180°. When reinstalling the assembly at the inlet connection, ensure the intake hole in the cover is on the bottom to minimize the entry of foreign matter from the air.

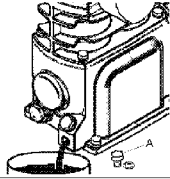
Filter Replacement



COMPRESSOR PUMP OIL CHANGE

1. Remove the oil drain plug (A) and allow the lubricant to drain into a suitable container.
2. Replace the oil drain plug.
3. Follow the filling procedures in OPERATION section.

Compressor Pump Oil Change



BELT ADJUSTMENT

CHECKING BELT TENSION Check belt tension occasionally, especially if looseness is suspected. A quick check to determine if adjustment is proper may be made by observing the slack side of the belt for a slight bow when the unit is in operation. If a slight bow is evident, the belt is usually adjusted satisfactorily.

TENSIONING BELTS Belt tensioning can be achieved by loosening the motor anchor screws, pushing the motor away from the pump, and retightening the motor anchor screws. The motor can be easily moved by placing a prying tool beneath it. A commercially available spreader or other belt tensioning device can also be helpful should tensioning be necessary.

Follow the procedures outlined below to correctly set and measure belt tension.

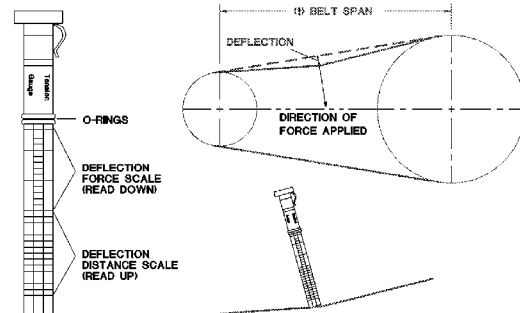
1. Lay a straight edge across the top outer surface of the belt drive from pulley to sheave.
2. At the center of the span, perpendicular to the belt, apply pressure to the outer surface of the belt with a tension gauge. Force the belt to the deflection indicated in the table at right. Compare the reading on the tension gauge to the table below.

Deflection in Inches	Min. Tension (Lbs.)	Max. Tension (Lbs.)
0.17	3.0	6.0

Ensure the pulley and sheave are properly aligned and the motor anchor screws are adequately retightened prior to restarting the compressor.

⚠ CAUTION Improper pulley/sheave alignment and belt tension can result in motor overload, excessive vibration, and premature belt and/or bearing failure.

To prevent these problems from occurring, ensure the pulley and sheave are aligned and belt tension is satisfactory after installing new belts or tensioning existing belts.



TANK INSPECTION

The life of an air receiver tank is dependent upon several factors including, but not limited to, operating conditions, ambient environments, and the level of maintenance. The exact effect of these factors on tank life is difficult to predict; therefore, Ingersoll-Rand recommends that you schedule a certified tank inspection within the first five years of compressor service. To arrange a tank inspection, contact the nearest I-R Air Center or distributor, or call 1-800-AIR SERV.

If the tank has not been inspected within the first 10 years of compressor service, the receiver must be taken out of service until it has passed inspection. Tanks that fail to meet requirements must be replaced.

⚠ WARNING Failure to replace a rusted air receiver tank could result in air receiver tank rupture or explosion, which could cause substantial property damage, severe personal injury, or death. Never modify or repair tank. Obtain replacement from service center.

TROUBLESHOOTING

PROBLEM	POSSIBLE CAUSE	POSSIBLE SOLUTION
Abnormal piston, ring or cylinder wear	<ol style="list-style-type: none"> 1. Lubricant viscosity too low. 2. Lubricant level too low. 3. Detergent type lubricant being used. 4. Cylinder(s) or piston(s) scratched, worn or scored. 5. Extremely dusty atmosphere. 6. Worn cylinder finish. 	<ol style="list-style-type: none"> 1. Drain existing lubricant and refill with proper lubricant. 2. Add lubricant to crankcase to proper level. 3. Drain existing lubricant and refill with proper lubricant. 4. Repair or replace as required. 5. Install remote air inlet piping and route to source of cleaner air. Install more effective filtration. 6. Deglaze cylinder with 180 grit flex-hone.
Air delivery drops off	<ol style="list-style-type: none"> 1. Clogged or dirty inlet and/or discharge line filter. 2. Air leaks in air discharge piping. 3. Lubricant viscosity too high. 4. Compressor valves leaky, broken, carbonized or loose. 5. Piston rings damaged or worn (broken, rough or scratched). Excessive end gap or side clearance. 6. Piston rings not seated, are stuck in grooves or end gaps not staggered. 7. Cylinder(s) or piston(s) scratched, worn or scored. 8. Defective safety/relief valve. 	<ol style="list-style-type: none"> 1. Clean or replace. 2. Check tubing and connections. 3. Drain existing lubricant and refill with proper lubricant. 4. Inspect valves. Clean or replace as required. Install valve kit. 5. Install ring kit. 6. Adjust piston rings. 7. Repair or replace as required. 8. Replace.
Unit does not come up to speed	<ol style="list-style-type: none"> 1. Loose beltwheel or motor pulley, excessive end play in motor shaft or loose drive belts. 2. Lubricant viscosity too high. 3. Improper line voltage. 4. Compressor valves leaky, broken, carbonized or loose. 5. Defective ball bearings on crankshaft or motor shaft. 	<ol style="list-style-type: none"> 1. Check beltwheel, motor pulley, crankshaft, drive belt tension and alignment. Repair or replace as required. 2. Drain existing lubricant and refill with proper lubricant. 3. Check line voltage and upgrade lines as required. Contact electrician. 4. Inspect valves. Clean or replace as required. Install valve kit. 5. Inspect bearings and replace crankshaft assembly if required.
Unit is slow to come up to speed	<ol style="list-style-type: none"> 1. Lubricant viscosity too high. 2. Leaking check valve or check valve seat blown out. 3. Ambient temperature too low. 4. Bad motor. 	<ol style="list-style-type: none"> 1. Drain existing lubricant and refill with proper lubricant. 2. Replace check valve. 3. Relocate unit to warmer environment. Install crankcase heater kit. 4. Replace.
Unit runs excessively hot	<ol style="list-style-type: none"> 1. Inadequate ventilation around beltwheel. 2. Drive belts too tight or misaligned. 3. Compressor valves leaky, broken, carbonized or loose. 4. Wrong beltwheel direction of rotation. 	<ol style="list-style-type: none"> 1. Relocate unit for better air flow. 2. Adjust belts to proper tension and alignment. 3. Inspect valves. Clean or replace as required. Install valve kit. 4. Check motor wiring for proper connections. Reverse two leads on three-phase motors.
Excessive noise during operation	<ol style="list-style-type: none"> 1. Loose beltwheel or motor pulley, excessive end play in motor shaft or loose drive belts. 2. Lubricant viscosity too high. 3. Lubricant level too low. 4. Compressor valves leaky, broken, carbonized or loose. 5. Carbon build-up on top of piston(s). 6. Defective ball bearings on crankshaft or motor shaft. 7. Leaking check valve or check valve seat blown out. 	<ol style="list-style-type: none"> 1. Check beltwheel, motor pulley, crankshaft, drive belt tension and alignment. Repair or replace as required. 2. Drain existing lubricant and refill with proper lubricant. 3. Add lubricant to crankcase to proper level. 4. Inspect valves. Clean or replace as required. Install valve kit. 5. Clean piston(s). Repair or replace as required. 6. Inspect bearings and replace crankshaft assembly if required. 7. Replace check valve.
Excessive starting and stopping	<ol style="list-style-type: none"> 1. Air leaks in air discharge piping. 2. Pressure switch differential too narrow. 3. Leaking check valve or check valve seat blown out. 4. Excessive condensate in receiver tank. 	<ol style="list-style-type: none"> 1. Check tubing and connections. 2. Adjust pressure switch to increase differential, if differential adjustment is provided. Install pressure switch with differential adjustment feature if differential adjustment is desired. 3. Replace check valve. 4. Drain receiver tank with manual drain valve.
High oil consumption	<ol style="list-style-type: none"> 1. Clogged or dirty inlet and/or discharge line filter. 2. Lubricant viscosity too low. 3. Detergent type lubricant being used. 4. Piston rings damaged or worn (broken, rough or scratched). Excessive end gap or side clearance. 5. Piston rings not seated, are stuck in grooves or end gaps not staggered. 6. Cylinder(s) or piston(s) scratched, worn or scored. 7. Connecting rod, piston pin or crankpin bearings worn or scored. 8. Crankshaft seal worn or crankshaft scored. 9. Worn cylinder finish. 	<ol style="list-style-type: none"> 1. Clean or replace. 2. Drain existing lubricant and refill with proper lubricant. 3. Drain existing lubricant and refill with proper lubricant. 4. Install ring kit. 5. Adjust piston rings. 6. Repair or replace as required. 7. Inspect all. Repair or replace as required. 8. Replace seal or crankshaft assembly. 9. Deglaze cylinder with 180 grit flex-hone.
Knocking or rattling	<ol style="list-style-type: none"> 1. Loose beltwheel or motor pulley, excessive end play in motor shaft or loose drive belts. 2. Compressor valves leaky, broken, carbonized or loose. 3. Carbon build-up on top of piston(s). 4. Cylinder(s) or piston(s) scratched, worn or scored. 5. Connecting rod, piston pin or crankpin bearings worn or scored. 6. Defective ball bearings on crankshaft or motor shaft. 	<ol style="list-style-type: none"> 1. Check beltwheel, motor pulley, crankshaft, drive belt tension and alignment. Repair or replace as required. 2. Inspect valves. Clean or replace as required. Install valve kit. 3. Clean piston(s). Repair or replace as required. 4. Repair or replace as required. 5. Inspect all. Repair or replace as required. 6. Inspect bearings and replace crankshaft assembly if required.

PROBLEM	POSSIBLE CAUSE	POSSIBLE SOLUTION
Lights flicker or dim when running	<ol style="list-style-type: none"> 1. Improper line voltage. 2. Wiring or electric service panel too small. 3. Poor contact on motor terminals or starter connections. 4. Improper starter overload heaters. 5. Poor power regulation (unbalanced line). 	<ol style="list-style-type: none"> 1. Check line voltage and upgrade lines as required. Contact electrician. 2. Install properly sized wire or service box. Contact electrician. 3. Ensure good contact on motor terminals or starter connections. 4. Install proper starter overload heaters. Contact electrician. 5. Contact power company.
Moisture in crankcase or "milky" appearance in petroleum lubricant or rusting in cylinders	<ol style="list-style-type: none"> 1. Detergent type lubricant being used. 2. Extremely light duty cycles. 3. Unit located in damp or humid location. 	<ol style="list-style-type: none"> 1. Drain existing lubricant and refill with proper lubricant. 2. Run unit for longer duty cycles. 3. Relocate unit.
Motor overload trips or draws excessive current	<ol style="list-style-type: none"> 1. Lubricant viscosity too high. 2. Improper line voltage. 3. Wiring or electric service panel too small. 4. Poor contact on motor terminals or starter connections. 5. Improper starter overload heaters. 6. Poor power regulation (unbalanced line). 7. Drive belts too tight or misaligned. 8. Compressor valves leaky, broken, carbonized or loose. 9. Cylinder(s) or piston(s) scratched, worn or scored. 10. Connecting rod, piston pin or crankpin bearings worn or scored. 11. Defective ball bearings on crankshaft or motor shaft. 12. Leaking check valve or check valve seat blown out. 13. Ambient temperature too low. 14. Bad motor. 	<ol style="list-style-type: none"> 1. Drain existing lubricant and refill with proper lubricant. 2. Check line voltage and upgrade lines as required. Contact electrician. 3. Install properly sized wire or service box. Contact electrician. 4. Ensure good contact on motor terminals or starter connections. 5. Install proper starter overload heaters. Contact electrician. 6. Contact power company. 7. Adjust belts to proper tension and alignment. 8. Inspect valves. Clean or replace as required. Install valve kit. 9. Repair or replace as required. 10. Inspect all. Repair or replace as required. 11. Inspect bearings and replace crankshaft assembly if required. 12. Replace check valve. 13. Relocate unit to warmer environment. Install crankcase heater kit. Convert to synthetic lubricant. 14. Replace
Motor will not start	<ol style="list-style-type: none"> 1. Improper line voltage. 2. Wiring or electric service panel too small. 3. Poor contact on motor terminals or starter connections. 4. Improper starter overload heaters. 5. Bad motor. 	<ol style="list-style-type: none"> 1. Check line voltage and upgrade lines as required. Contact electrician. 2. Install properly sized wire or service box. Contact electrician. 3. Ensure good contact on motor terminals or starter connections. 4. Install proper starter overload heaters. Contact electrician. 5. Replace
Oil in discharge air (oil pumping)	<ol style="list-style-type: none"> 1. Lubricant viscosity too low. 2. Detergent type lubricant being used. 3. Piston rings damaged or worn (broken, rough or scratched). Excessive end gap or side clearance. 4. Piston rings not seated, are stuck in grooves or end gaps not staggered. 5. Cylinder(s) or piston(s) scratched, worn or scored. 6. Worn cylinder finish. 7. Excessive condensate in receiver tank. 	<ol style="list-style-type: none"> 1. Drain existing lubricant and refill with proper lubricant. 2. Drain existing lubricant and refill with proper lubricant. 3. Install ring kit. 4. Adjust piston rings. 5. Repair or replace as required. 6. Deglaze cylinder with 180 grit flex-hone. 7. Drain receiver tank with manual drain valve.
Oil leaking from shaft seal	<ol style="list-style-type: none"> 1. Crankshaft seal worn or crankshaft scored. 	<ol style="list-style-type: none"> 1. Replace seal or crankshaft assembly.
Safety/relief valve "pops"	<ol style="list-style-type: none"> 1. Clogged or dirty inlet and/or discharge line filter. 2. Compressor valves leaky, broken, carbonized or loose. 3. Defective safety/relief valve. 	<ol style="list-style-type: none"> 1. Clean or replace. 2. Inspect valves. Clean or replace as required. Install valve kit. 3. Replace

WARRANTY

Ingersoll-Rand Company warrants that the Equipment manufactured by it and delivered hereunder shall be free of defects in material and workmanship for a period of twelve (12) months from the date of placing the Equipment in operation or eighteen (18) months from the date of shipment, whichever shall occur first. The foregoing warranty period shall apply to all Equipment, except for the following: (A) Compressors that are operated solely on Ingersoll-Rand synthetic compressor lubricant will have their bare compressor warranted for the earlier of twenty-four (24) months from the date of initial operation or thirty (30) months from the date of shipment. (B) Replacement parts will be warranted for six (6) months from the date of shipment. Should any failure to conform to this Warranty be reported in writing to the Company within said period, the Company shall, at its option, correct such nonconformity by suitable repair to such Equipment, or furnish a replacement part F.O.B. point of shipment, provided the purchaser has installed, maintained and operated such equipment in accordance with good industry practices and has complied with specific recommendations of the Company. Accessories or equipment furnished by the Company, but manufactured by others, shall carry whatever warranty the manufacturer conveyed to Ingersoll-Rand Company and which can be passed on to the Purchaser. The Company shall not be liable for any repairs, replacements, or adjustments to the Equipment or any costs of labor performed by the Purchaser without the Company's prior written approval.

The Company makes no performance warranty unless specifically stated within its proposal and the effects of corrosion, erosion and normal wear and tear are specifically excluded from the Company's Warranty. In the event performance warranties are expressly included, the Company's obligation shall be to correct in the manner and for the period of time provided above.

THE COMPANY MAKES NO OTHER WARRANTY OF REPRESENTATION OF ANY KIND WHATSOEVER, EXPRESSED OR IMPLIED, EXCEPT THAT OF TITLE, AND ALL IMPLIED WARRANTIES OF MERCHANTABILITY AND FITNESS FOR A PARTICULAR PURPOSE, ARE HEREBY DISCLAIMED.

Correction by the Company of nonconformities, whether patent or latent, in the manner and for the period of time provided above, shall constitute fulfillment of all liabilities of the Company and its Distributors for such nonconformities with respect to or arising out of such Equipment.

LIMITATION OF LIABILITY

THE REMEDIES OF THE PURCHASER SET FORTH HEREIN ARE EXCLUSIVE, AND THE TOTAL LIABILITY OF THE COMPANY, ITS DISTRIBUTORS AND SUPPLIERS WITH RESPECT TO CONTRACT OR THE EQUIPMENT AND SERVICES FURNISHED, IN CONNECTION WITH THE PERFORMANCE OR BREACH THEREOF, OR FROM THE MANUFACTURE, SALE, DELIVERY, INSTALLATION, REPAIR OR TECHNICAL DIRECTION COVERED BY OR FURNISHED UNDER CONTRACT, WHETHER BASED ON CONTRACT, WARRANTY, NEGLIGENCE, INDEMNITY, STRICT LIABILITY OR OTHERWISE SHALL NOT EXCEED THE PURCHASE PRICE OF THE UNIT OF EQUIPMENT UPON WHICH SUCH LIABILITY IS BASED.

THE COMPANY, ITS DISTRIBUTORS AND ITS SUPPLIERS SHALL IN NO EVENT BE LIABLE TO THE PURCHASER, ANY SUCCESSORS IN INTEREST OR ANY BENEFICIARY OR ASSIGNEE OF THE CONTRACT FOR ANY CONSEQUENTIAL, INCIDENTAL, INDIRECT, SPECIAL OR PUNITIVE DAMAGES ARISING OUT OF THIS CONTRACT OR ANY BREACH THEREOF, OR ANY DEFECT IN, OR FAILURE OF, OR MALFUNCTION OF THE EQUIPMENT, WHETHER OR NOT BASED UPON LOSS OF USE, LOSS PROFITS OR REVENUE, INTEREST, LOST GOODWILL, WORK STOPPAGE, IMPAIRMENT OF OTHER GOODS, LOSS BY REASON OF SHUTDOWN OR NON-OPERATION, INCREASED EXPENSES OF OPERATION, COST OF PURCHASE OF REPLACEMENT POWER, OR CLAIMS OF PURCHASER OR CUSTOMERS OF PURCHASER FOR SERVICE INTERRUPTION WHETHER OR NOT SUCH LOSS OR DAMAGE IS BASED ON CONTRACT, WARRANTY, NEGLIGENCE, INDEMNITY, STRICT LIABILITY OR OTHERWISE.

Questions? Parts? Service?

1-800 AIR SERV

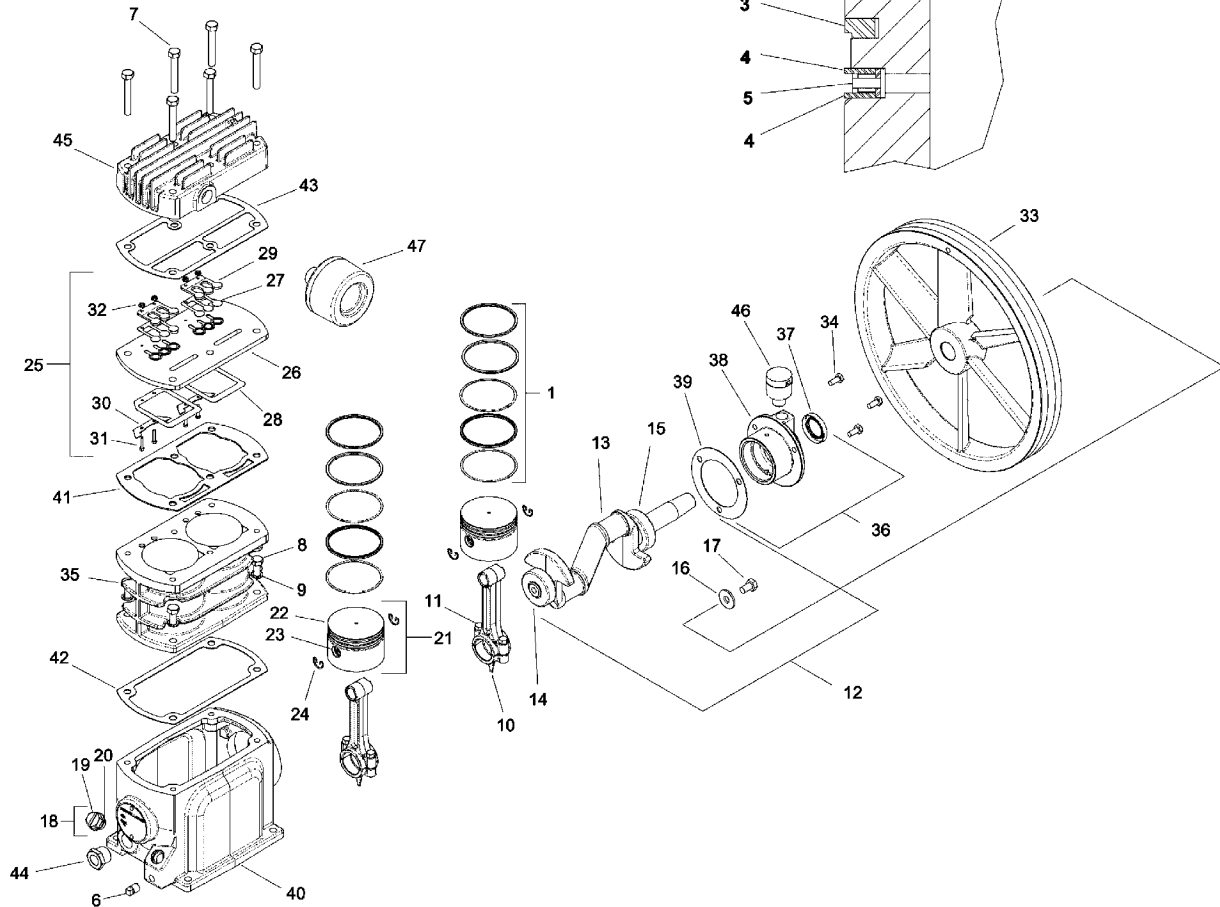
Visit our website:

www.air.ingersoll-rand.com

**PARTS LIST
 FOR MODEL SS3
 BARE COMPRESSOR PUMP**

**LISTA DE PIEZAS
 PARA MODELO SS3
 BOMBA COMPRESORA SIN
 ACCESORIOS**

**LISTE DE PIÈCES
 POUR COMPRESSEUR NU,
 MODÈLE SS3**

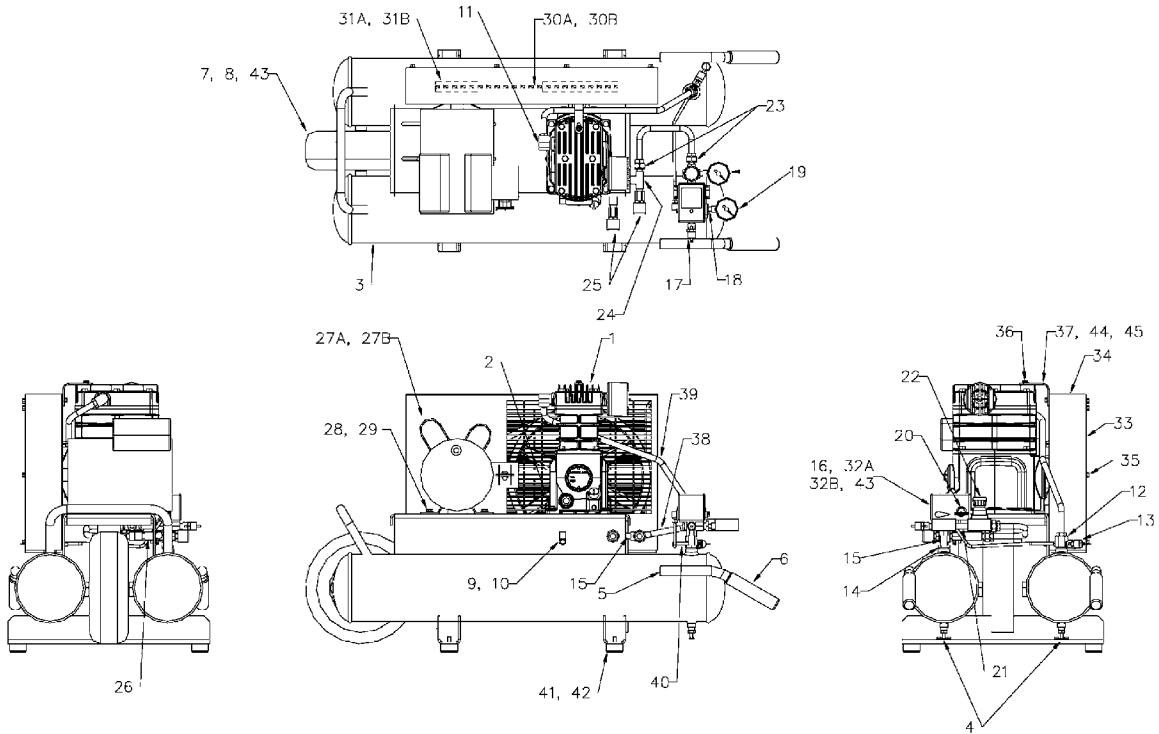


REF. NO. N° DE REF. N° DE REP.	PART NO. N° DE PIEZA N° DE PIÈCE	DESCRIPTION	DESCRIPCIÓN	DESCRIPTION	QTY. CANT. QTÉ.
REF.	97330419	PUMP, BARE COMPRESSOR	BOMBA COMPRESORA SIN ACCESORIOS	COMPRESSEUR NU	—
* 1	32307092	SET, PISTON RING	CONJUNTO DE ANILLOS DE PISTÓN	JEU DE SEGMENTS	2
2	NSS	● RING, COMPRESSION	● ANILLO DE COMPRESIÓN	● SEGMENT DE COMPRESSION	1
3	NSS	● RING, SCRAPER	● ANILLO RASCADOR	● SEGMENT RACLEUR À ÉPAULEMENT	1
4	NSS	● RING, OIL CONTROL SPACER	● ANILLO ESPACIADOR REGULADOR DE ACEITE	● SEGMENT D'ESPACEMENT	2
5	NSS	● RING, OIL CONTROL	● ANILLO REGULADOR DE ACEITE	● SEGMENT RACLEUR À FENTES	1
6	95033585	PLUG, OIL DRAIN	TAPÓN ROSCADO DE PURGA DEL ACEITE	BOUCHON DE VIDANGE D'HUILE	1
7	96715784	CAPSCREW, M8 X 55 (HEAD BOLT)	TORNILLO DE CABEZA, M8 X 55 (PERNO DE CULATA)	VIS D'ASSEMBLAGE, M8 X 55 (BOULON DE CULASSE)	6
8	96716113	CAPSCREW, M8 X 20 (CYLINDER BOLT)	TORNILLO DE CABEZA, M8 X 20 (PERNO DE CILINDRO)	VIS D'ASSEMBLAGE, M8 X 20 (BOULON DE CYLINDRE)	4
9	96728316	WASHER, SPRING — M8	ARANDELA DE MUELLE	RONDELLE À RESSORT M8	4
10	97330427	ASSEMBLY, CONNECTING ROD	CONJUNTO DE BIELA	BIELLE	2
11	96702246	● CAPSCREW, M6 X 25	● TORNILLO DE CABEZA, M6 X 25	● VIS D'ASSEMBLAGE M6 X 25	2
12	97338081	ASSEMBLY, CRANKSHAFT — SERVICE	CONJUNTO DE CIGÜEÑAL, SERVICIO	ENSEMBLE DE VILEBREQUIN	1
13	NSS	● CRANKSHAFT	● CIGÜEÑAL	● VILEBREQUIN	1
14	NSS	● BEARING, MAIN	● COJINETE PRINCIPAL	● PALIER PRINCIPAL	1
15	NSS	● BEARING, BALL	● COJINETE DE BOLAS	● PALIER À BILLES	1
16	54375977	● WASHER, M8	● ARANDELA, M8	● RONDELLE M8	1
17	54440045	● CAPSCREW, M8 X 20 — LEFT HAND THREAD	● TORNILLO DE CABEZA, M8 X 20 — ROSCA IZQUIERDA	● VIS D'ASSEMBLAGE M8 X 20 FILETÉE À GAUCHE	1
18	49812050	ASSEMBLY, OIL FILL PLUG	CONJUNTO DE TAPÓN ROSCADO PARA RELLENO DE LUBRICANTE	ENSEMBLE DE BOUCHON DE REMPLISSAGE D'HUILE	1
19	NSS	● PLUG, OIL FILL	● TAPÓN ROSCADO PARA RELLENO DE LUBRICANTE	● BOUCHON DE REMPLISSAGE D'HUILE	1
20	95024394	● O-RING, OIL FILL PLUG	● JUNTA TÓRICA, TAPÓN ROSCADO PARA RELLENO DE LUBRICANTE	● JOINT TORIQUE DE BOUCHON DE REMPLISSAGE D'HUILE	1
21	97330468	ASSEMBLY, PISTON & PIN	CONJUNTO DE PISTÓN Y PASADOR	ENSEMBLE DE PISTON ET AXE	2
22	NSS	● PISTON	● PISTÓN	● PISTON	1
23	NSS	● PIN, PISTON	● PASADOR DE PISTÓN	● AXE DE PISTON	1
24	NSS	● RING, LOCK	● ANILLO DE FIJACIÓN	● CIRCLIP	2
□ 25	97330484	ASSEMBLY, VALVE	CONJUNTO DE VÁLVULA	CLAPET	1
26	NSS	● PLATE, VALVE	● PLATILLO DE VÁLVULA	● PLAQUE DE CLAPET	1
27	NSS	● VALVE, DISCHARGE	● VÁLVULA DE DESCARGA	● CLAPET DE REFOULEMENT	2
28	NSS	● VALVE, INLET	● VÁLVULA DE ADMISIÓN	● CLAPET D'ASPIRATION	2
29	NSS	● STOP, DISCHARGE	● DETENEDOR DE DESCARGA	● BUTÉE DE REFOULEMENT	2
30	NSS	● RETAINER, INLET	● RETÉN, ADMISIÓN	● VOLET DE RETENUE D'ASPIRATION	2
31	NSS	● SCREW, HEX HEAD — M3 X 16	● TORNILLO DE CABEZA HEXAGONAL— M3 X 16	● VIS À TÊTE HEX. M3 X 16	4
32	NSS	● NUT, HEX — M3 W/LOCKWASHER	● TUERCA HEXAGONAL — M3 C/ARANDELA DE BLOQUEO	● ÉCROU HEX. M3 AVEC RONDELLE DE BLOCAGE	4
33	97330492	BELT WHEEL	RUEDA DE POLEA	VOLANT D'ENTRAÎNEMENT	1
34	97330500	CAPSCREW, M6 X 14 (END COVER BOLTS)	TORNILLO DE CABEZA, M6 X 14 (PERNOS DE TAPA EXTREMA)	VIS D'ASSEMBLAGE M6 X 14 (BOULON DE CARTER)	3
35	97330625	CYLINDER	CILINDRO	CYLINDRE	1
36	97338073	ASSEMBLY, END COVER — SERVICE	CONJUNTO DE TAPA EXTREMA — SERVICIO	ENSEMBLE DE CARTER	1
37	32204521	● SEAL, SHAFT	● OBTURADOR PARA EJES	● JOINT D'ARBRE	1
38	NSS	● COVER, END	● TAPA EXTREMA	● CARTER	1
39	97331227	● GASKET, END COVER	● EMPAQUETADURA, TAPA DE EXTREMA	● JOINT DE CARTER	1
40	97330641	FRAME, COMPRESSOR	BATIENTE, COMPRESOR	CHÂSSIS DE COMPRESSEUR	1
□ 41	97330658	GASKET, VALVE PLATE	EMPAQUETADURA, PLATILLO DE VÁLVULA	JOINT DE PLAQUE DE CLAPET	1
* 42	97330666	GASKET, CYLINDER	EMPAQUETADURA, CILINDRO	JOINT DE CYLINDRE	1
□ 43	54571609	GASKET, HEAD	EMPAQUETADURA DE CULATA	JOINT DE CULASSE	1
44	97330682	GLASS, SIGHT	VISOR DE NIVEL	VISEUR	1
45	97330690	HEAD	CULATA	CULASSE	1
46	70243936	ASSEMBLY, VENT	CONJUNTO DE PURGA	ENSEMBLE D'ÉVENT	1
47	70243399	FILTER, INLET	FILTRO DE ENTRADA	FILTRE D'ASPIRATION	1
NI	70243712	● ELEMENT, FILTER	● ELEMENTO DEL FILTRO	● ÉLÉMENT FILTRANT	1

NSS NOT SOLD SEPARATELY
NO SE VENDE POR SEPARADO
NON VENDU SÉPARÉMENT

□ AVAILABLE INDIVIDUALLY OR IN VALVE KIT 97338107
DISPONIBLE INDIVIDUALMENTE O EN CONJUNTO DE VÁLVULA 97338107
VENDU SÉPARÉMENT OU DANS L'ENSEMBLE DE CLAPETS 97338107

* AVAILABLE INDIVIDUALLY OR IN PISTON RING KIT 97338115
DISPONIBLE INDIVIDUALMENTE O EN CONJUNTO DE ANILLOS DE PISTÓN 97338115
VENDU SÉPARÉMENT OU DANS L'ENSEMBLE DE SEGMENTS 97338115



REF. NO.	PART NO.	DESCRIPTION	QTY.	REF. NO.	PART NO.	DESCRIPTION	QTY.
1	97330419	PUMP, BARE COMPRESSOR	1	26	37143542	ELBOW, STREET	1
2	56290794	SCREW, .31 X 1.25 LONG SELF TAPPING	4	27A	54445697	MOTOR (SS3J3-WB)	1
3	54638943	TANK, AIR RECEIVER	1	27B	54595416	MOTOR (SS3J2-WB)	1
4	32027120	VALVE, MANUAL DRAIN	2	28	32164634	CAPSCREW	4
5	54394036	CAP	2	29	54391545	NUT, CONICAL KEPS	4
6	97171060	GRIP, HANDLE	2	30A	95859112	BELT, DRIVE (SS3J3-WB)	1
7	54389572	AXLE	1	30B	54454780	BELT, DRIVE (SS3J2-WB)	1
8	54509001	WHEEL	1	31A	54640271	SHEAVE (SS3J3-WB)	1
9	32224537	CLAMP, TUBE	1	31B	54454913	SHEAVE (SS3J2-WB)	1
10	97173595	CAPSCREW, SELF-TAPPING	1	33	54459508	BELTGUARD, FRONT	1
11	95040184	ELBOW	1	34	54459516	BELTGUARD, REAR	1
12	56289590	VALVE, CHECK	1	35	97173595	SCREW, .25 X .50 LONG SELF TAPPING	14
13	54351348	VALVE, SAFETY/RELIEF	1	36	56280159	SCREW, M8-1.0 X 12mm LONG (SERRATED)	1
14	32179012	BUSHING, REDUCING	1	37	54640032	BRACE, BELT GUARD	1
15	91896480	NIPPLE	2	38	49812563	TUBE, REGULATOR TO QUICK CONNECT	1
16	54441738	SWITCH, PRESSURE	1	39	49812548	TUBE, PUMP TO CHECK VALVE	1
17	97010094	VALVE, SAFETY/RELIEF	1	40	49812555	TUBE, PRESSURE SWITCH TO CHECK VALVE	1
18	97503023	BUSHING, REDUCING	1	41	97175343	PAD, ISOLATOR	4
19	54494075	GAUGE, PRESSURE	2	42	97175350	SCREW, SELF-TAPPING	4
20	97004030	CONNECTOR, CORD	2	43	54657218	NUT, PUSH - 0.63	1
21	95242582	NIPPLE, LONG	1	44	32175564	CAPSCREW	1
22	37992849	REGULATOR	1	45	39128541	NUT, WHIZ LOCK	1
23	95083200	CONNECTOR	1	NI	54465059	CORD, POWER (250V)	1
24	32140956	TEF PIPE	1	NI	54441480	CORD, POWER (125V)	1
25	32238354	COUPLER	2	NI	54498508	TIE, CABLE	1

KITS & ACCESSORIES

START-UP KIT

Each start-up kit contains enough Ingersoll-Rand synthetic compressor lubricant and air filter elements to start-up and maintain your unit for the first year.

PART NO.	DESCRIPTION
97338099	KIT, START-UP

INGERSOLL-RAND SYNTHETIC COMPRESSOR LUBRICANT

PART NO.	DESCRIPTION
97338131	LUBRICANT, .5L BOTTLE
97338149	LUBRICANT, 6-PACK OF .5L BOTTLES

AIR FILTER ELEMENT

PART NO.	DESCRIPTION
70243712	ELEMENT, AIR FILTER

STEP SAVER KITS

Step Saver Kits provide all of the parts required to perform common repair tasks such as piston ring replacement or valve replacement.

PART NO.	DESCRIPTION	CONTENTS
97338107	KIT, VALVE/GASKET	Valve wearing parts and head gaskets that are destroyed in replacing valve parts.
97338115	KIT, RING/GASKET	Complete set of piston rings, a crankshaft seal, and gaskets that are destroyed in breaking the unit down to replace the rings.

CRANKCASE HEATER KIT

Crankcase heaters are recommended when ambient temperatures are consistently below 32°F (0°C). An easy-to-install external crankcase heater kit is intended for aftermarket use.

PART NO.	DESCRIPTION
97330385	KIT, CRANKCASE HEATER

MULTI-PURPOSE AIR HOSES

These air hose assemblies are heavy duty, light weight hoses designed for 300 PSIG working pressure.

PART NO.	DESCRIPTION
32323750	HOSE, AIR — 3/8" X 25' (1/4" MALE NPT)
32323768	HOSE, AIR — 3/8" X 50' (1/4" MALE NPT)
32323776	HOSE, AIR — 3/8" X 100' (1/4" MALE NPT)

NOTES